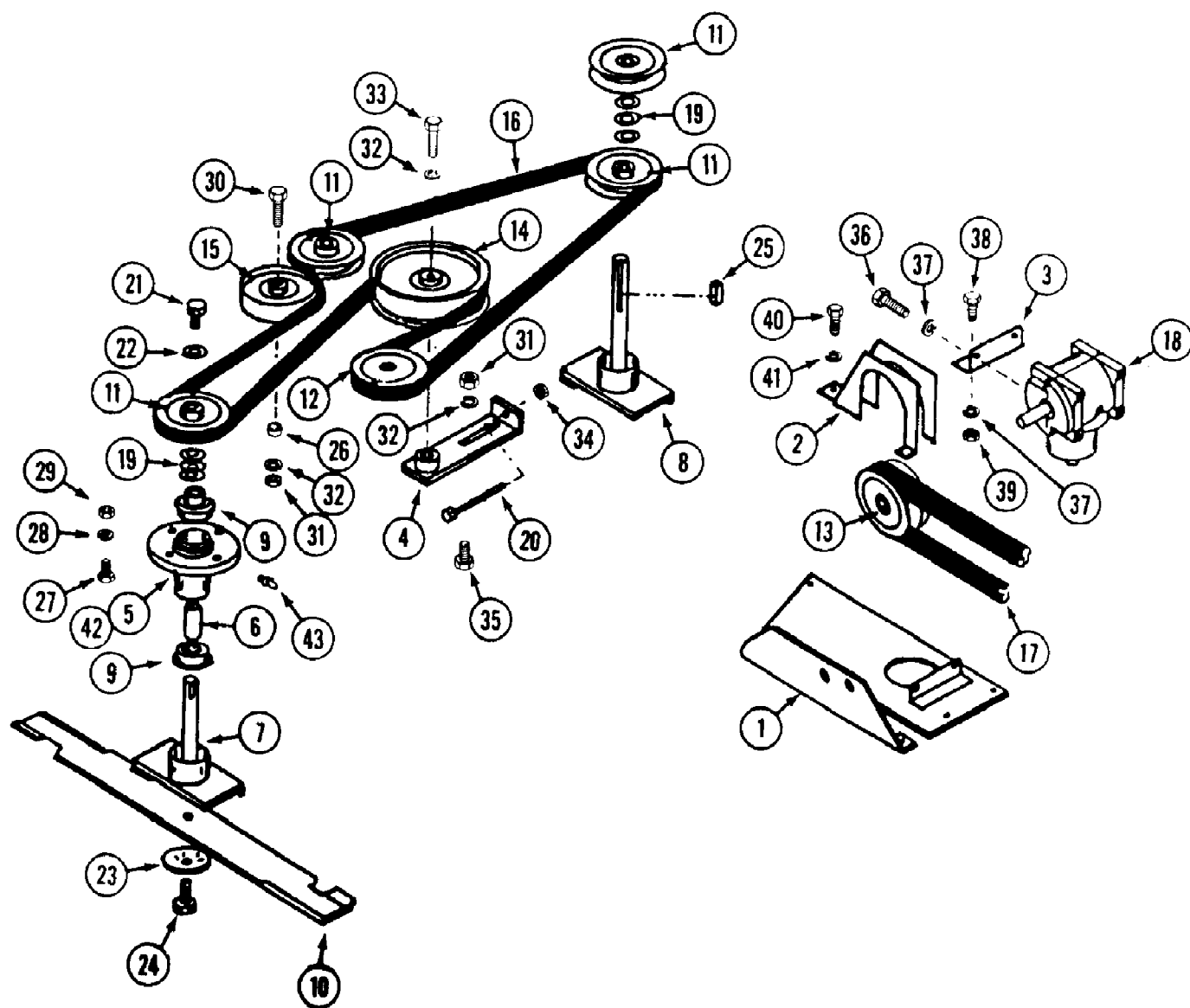


135-028-190 FR-1800D (1995)
52" Mower Deck And Attaching Parts

Page 2 of 97

Ref #	Part Number	Qty	S/P/F	Description
1	WD-C44086	1		Deck 52"
2	WD-C39208	1		CHUTE - foot guard
3	WD-C39209	1		MOUNT - foot guard
4	WD-C39204	1		COVER - pulley
5	WD-C39203	1		COVER - center
6	WD-C39200	1		COVER - L.H.
7	WD-C37942	1		SHOE - skid
8	WD-C37910	1		ROLLER - anti-scalp
9	WD-C37911	1		SHAFT - roller
10	WD-C37912	2	S	BRACKET - gauge wheel mount
11	WD-C37913	2		MOUNT - gauge wheel
12	WD-C37914	2		FORK
13	WD-C37915	2	/P	AXLE - wheel
14	WD-C37916	2		WHEEL - gauge
	WD-C37917	1		TIRE - 11 x 4.00 - 5
	WD-C37918	1		RIM - 5"
	WD-C44499	2	S	BEARING - wheel
15	WD-113-2419	2	/P	BOLT - 1/2" - 13 x 6-1/2"
16	WD-C37920	4		BOLT - wing
17	WD-C37921	4		NUT - gauge wheel handle
18	WD-C37505	1	S	BREAKER - circuit, 10 amp
19	WD-C37860	2		COLLAR - set
20	WD-C37824	4	S	BEARING - 1"
21	WD-C37922	1		PIN - "fas-tatch"
22	WD-C10821	1		PIN - deck
23	WD-C29029	2		PIN - cotter, hair
24	~NSS	4		SCREW - thumb 1/4" - 20 x 1/2" (Use 113-3 and 192-19)
25	~NSS	1		SCREW - wing 1/4" - 20 x 1" (Use 113-3)
26	WD-113-3	4		BOLT - 1/4" - 20 x 3/4"
27	WD-192-19	2		LOCKWASHER - 1/4"
28	WD-129-101	2		NUT - 1/4" - 20
29	WD-131-71	2		NUT - 1/4" - 20 lock
30	WD-113-1	2		BOLT - 1/4" - 20 x 1"
31	WD-195-102	1		WASHER - 1/4"
32	WD-C37993	2		FITTING - grease
?33	WD-C37756	2		SCREW - set 5/16" - 18 x 1/2" square head
34	WD-192-20	6		LOCKWASHER - 5/16"
35	WD-129-102	6		NUT - 5/16" - 18
36	WD-192-23	2		LOCKWASHER - 1/2"
37	WD-129-105	2	S	NUT - 1/2" - 13
38	WD-113-102	2		BOLT - 5/16" - 18 x 3/4"
39	WD-111-202	2		BOLT - 5/16" - 18 x 3/4" carriage
40	WD-182-528	2		SCREW - #10 - 32 x 1/2"
41	WD-C37598	2		NUT #10 - 32
42	WD-111-203	6		BOLT - 5/16" - 18 x 1" carriage



135-028-190 FR-1800D (1995)
52" Mower Drive

Page 4 of 97

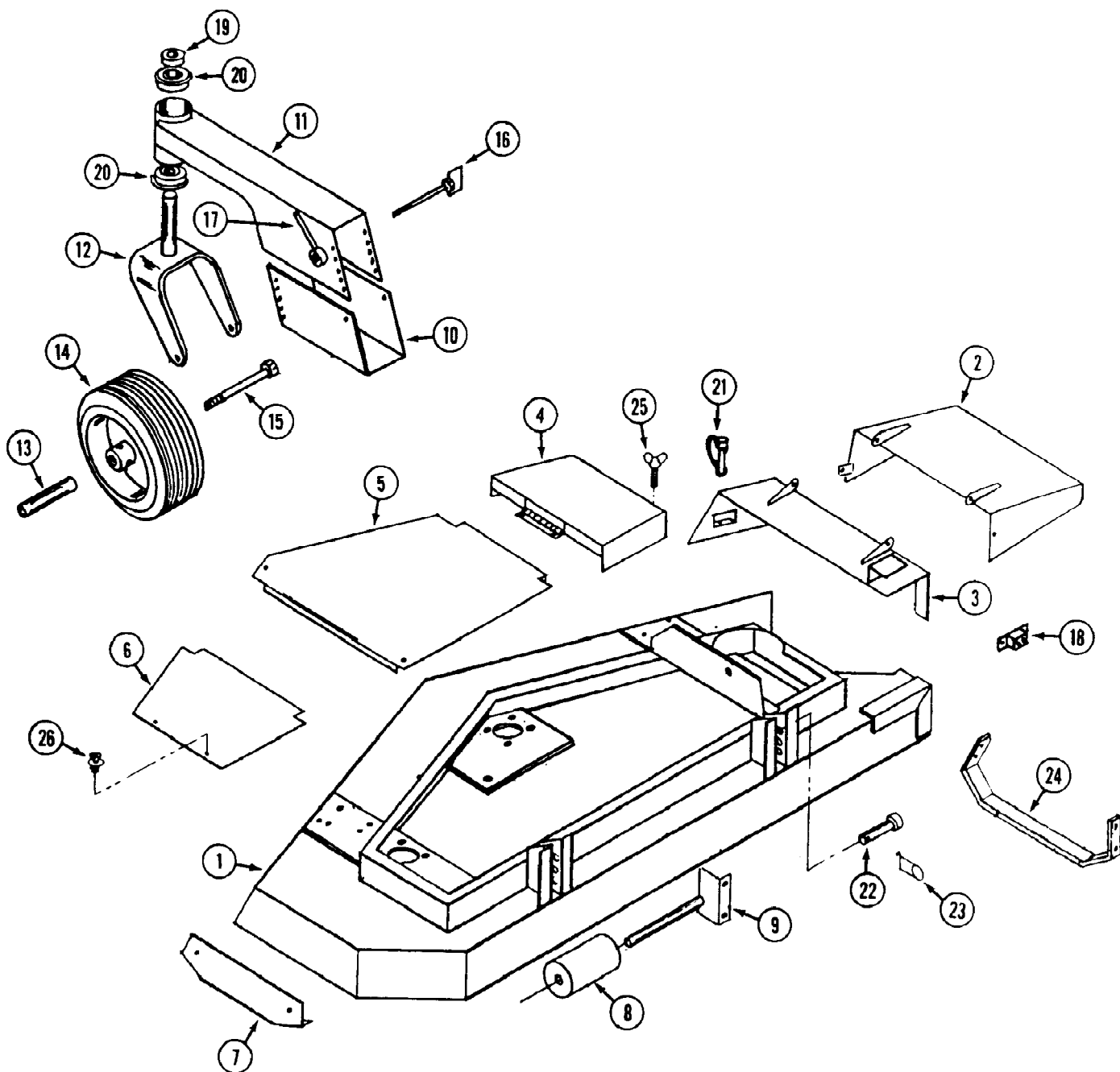
Ref #	Part Number	Qty	S/P/F	Description
1	WD-C39205	1		MOUNT - gear box
2	WD-C37876	1		GUARD - belt
3	WD-C37877	1		ANGLE - gear box mount
4	WD-C37929	1		TIGHTENER - belt
5	WD-C37880	3	/P	HOUSING - spindle
6	WD-C37881	3	/P	SPACER - spindle
7	WD-C37883	2	/P	SHAFT - spindle, short Use before S/N 013306046
	WD-C44128	1		SHAFT - spindle, short Use S/N 013306046 and after
8	WD-C37884	1		SHAFT - spindle, long Use before S/N 013306046
	WD-C44130	1		SHAFT - spindle, long Use S/N 013306046 and after
9	WD-C42786	3	S	BEARING - spindle Use before S/N 013306046
10	WD-C37930	3	/P	BLADE - mower
	WD-C44136	1		BLADE - mower Use S/N 013306046 and after
11	WD-C37931	4	/P	PULLEY - spindle
12	WD-C37932	1		PULLEY - gear box output
13	WD-C37893	1		PULLEY - gear box input
14	WD-C37933	1	/P	PULLEY - idler, large
15	WD-C37934	1		PULLEY - idler, small
16	WD-C37935	1	/P	BELT - deck
17	WD-C37895	2		BELT - drive
18	WD-C37898	1	S	GEAR BOX - angle drive (Curtis model)
	WD-C42775	1	S	GEAR BOX - angle drive (Superior model)
19	WD-C37888	12	S	SPACER - washer
20	WD-C37901	1		BOLT - 1/4" - 20 x 4"
21	WD-C39386	3	S	BOLT - 5/16" - 24 x 3/4" lock
22	WD-C37900	3	/P	WASHER - 5/16" - 10 ga.
23	WD-C37886	3	/P	WASHER - blade Use before S/N 013306046
24	WD-C37557	3	S	BOLT - 3/8" - 24 x 1-1/4" Use before S/N 013306046
	WD-113-268	6		BOLT - 3/8" - 16 x 1" (Also required 131-1216 locknut). Use S/N 013306046 and after
25	WD-C29581	6		KEY - 3/16" x 1"
26	WD-C37937	1	/P	SPACER - idler pulley
27	WD-113-312	12		BOLT - 7/16" - 14 x 1-1/4"
28	WD-192-22	12		LOCKWASHER - 7/16"
29	WD-129-104	12		NUT - 7/16" - 14
30	WD-113-257	1		BOLT - 3/8" - 16 x 2-1/2"
31	WD-129-103	1	S	NUT - 3/8"
32	WD-192-21	1	S	LOCKWASHER - 3/8"
33	WD-113-208	1		BOLT - 3/8" - 16 x 1-1/4"
34	WD-131-71	1		NUT - 1/4" - 20 lock
35	WD-111-371	1		BOLT - 3/8" - 16 x 1" carriage
36	WD-113-103	1		BOLT - 3/8" - 18 x 1"

135-028-190 FR-1800D (1995)
52" Mower Drive

Page 5 of 97

Ref #	Part Number	Qty	S/P/F	Description
37	WD-192-20	5		LOCKWASHER - 5/16"
38	WD-113-102	1		BOLT - 5/16" - 18 x 3/4"
39	WD-129-102	1		NUT - 5/16" - 18
40	WD-113-1	2		BOLT - 1/4" - 20 x 1/2"
41	WD-192-19	2		LOCKWASHER - 1 /4"
42	WD-C37902	3	S	HOUSING ASSEMBLY - spindle (Includes ref. 5, 6, 9)
43	WD-219-20	3		FITTING - grease 1/4" - 28
	WD-131-1216	1		LOCKNUT

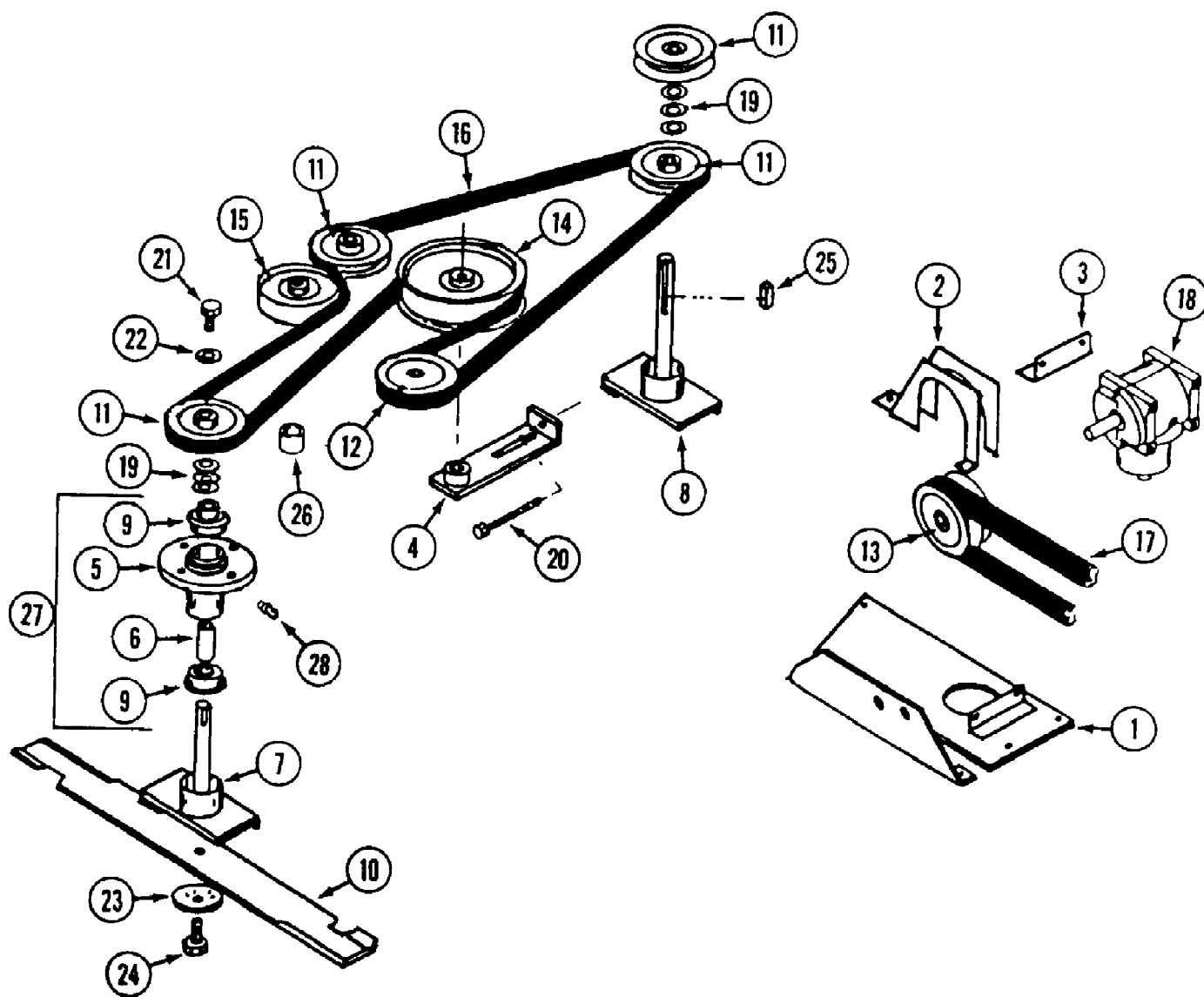
135-028-190 FR-1800D (1995)
62" Mower Deck And Attaching Parts



135-028-190 FR-1800D (1995)
62" Mower Deck And Attaching Parts

Page 7 of 97

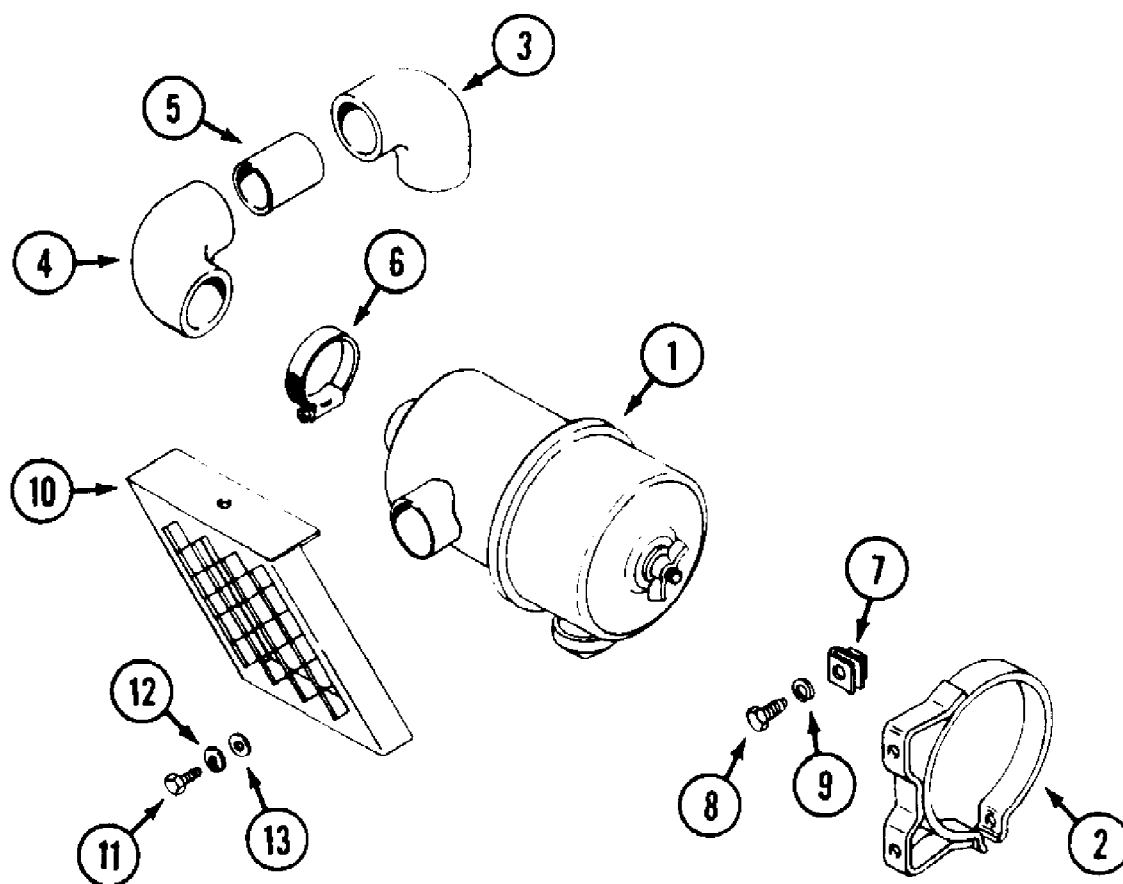
Ref #	Part Number	Qty	S/P/F	Description
1	WD-C44088	1	S	DECK 62"
2	WD-C41396	1		CHUTE - foot guard
3	WD-C41400	1		MOUNT - foot guard
4	WD-C41392	1		COVER - pulley
5	WD-C41378	1		COVER - center
6	WD-C41373	1		COVER - L.H.
7	WD-C37956	1	S	SHOE - skid L.H.
8	WD-C37910	1		ROLLER - anti-skid
9	WD-C37911	1		SHAFT - roller
10	WD-C37912	2	S	BRACKET - gauge wheel mount
11	WD-C37913	2		MOUNT - gauge wheel
12	WD-C37914	2		FORK - gauge wheel
13	WD-C37915	2	/P	AXLE - gauge wheel
14	WD-C37916	2		WHEEL - gauge
	WD-C37917	1		TIRE - 11 x 4.00 - 6
	WD-C37918	1		RIM - 5"
	WD-C44499	2	S	BEARING - wheel
15	WD-113-2419	2	/P	BOLT - 1/2" - 13 x 6-1/2"
16	WD-C37920	4		BOLT - wing
17	WD-C37921	4		NUT - gauge wheel handle
18	WD-C37505	1	S	BREAKER - circuit - 10 amp
19	WD-C37860	2		COLLAR - set 1"
20	WD-C37824	4	S	BEARING - 1"
21	WD-C37922	1		PIN - "fas-tatch"
22	WD-C10821	2		PIN - deck
23	WD-C29029	2		PIN - cotter, hair
24	WD-C37967	1		SHOE - skid R.H.
25	~NSS	4		SCREW - thumb 1/4" - 20 x 1/2" (Use 113-3 and 192-19)
26	~NSS	1		SCREW - wing 1/4" - 20 x 1" (Use 113-3)



135-028-190 FR-1800D (1995)
62" Mower Drive

Page 9 of 97

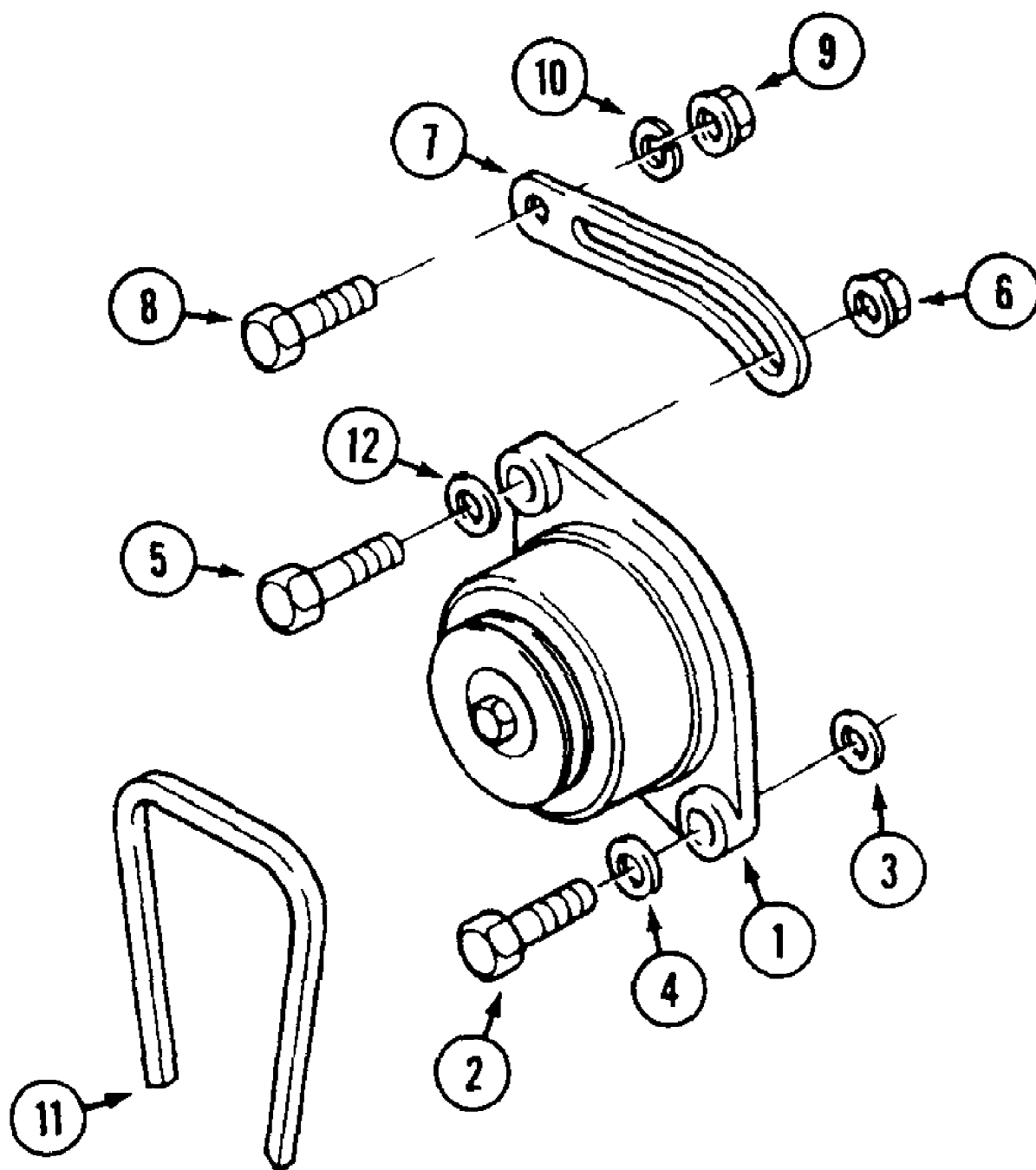
Ref #	Part Number	Qty	S/P/F	Description
1	WD-C41757	1		MOUNT - gear box
2	WD-C37876	1		GUARD - belt
3	WD-C37877	1		ANGLE - gear box mount
4	WD-C37929	1		TIGHTENER - belt
5	WD-C37946	3	/P	HOUSING - spindle
6	WD-C37946	3	/P	SPACER spindle
7	WD-C37947	2	/P	SHAFT - spindle, short Use before S/N 013306063
	WD-C44132	2		SHAFT - spindle, short Use S/N 013306063 and after
8	WD-C37948	1	/P	SHAFT - spindle, long Use before S/N 013306063
	WD-C44134	1		SHAFT - spindle, long Use S/N 013306063 and after
9	WD-C42786	6	S	BEARING - spindle
10	WD-C37949	3	/P	BLADE Use before S/N 013306063
	WD-C44138	3		BLADE Use S/N 013306063 and after
11	WD-C37950	4		PULLEY - spindle
12	WD-C37932	1		PULLEY - gear box output
13	WD-C37893	1		PULLEY - gear box input
14	WD-C37933	1	/P	PULLEY - idler, large
15	WD-C37934	1		PULLEY - idler, small
16	WD-C38929	1	/P	BELT - deck
17	WD-C38566	2	/P	BELT - drive
18	WD-C37898	1	S	GEAR BOX - angle drive (Curtis model)
	WD-C42775	1	S	GEAR BOX - angle drive (Superior model)
19	WD-C37888	12	S	WASHER - spacer
20	WD-C37901	1		BOLT - 1/4" - 20 x 4"
21	WD-C39386	3	S	BOLT - 5/16" - 24 x 3/4"
22	WD-C37900	3	/P	WASHER - 5/16", 10 ga
23	WD-C37876	3		WASHER - blade Use before S/N 013306063
24	WD-C37557	3	S	BOLT - 3/8" - 24 x 1-1/4" Use before S/N 013306063
	WD-113-268	6		BOLT - 3/8" - 16 x 1" (Also requires 131-1216 locknut). Use S/N 013306063 and after
25	WD-C29581	6		KEY - 3/16" x 3/16" x 1"
26	WD-C37937	1	/P	SPACER - idler pulley
27	WD-C37951	3	S	HOUSING ASSEMBLY - spindle (Includes ref. 5, 6, 9)
28	WD-219-20	3		FITTING - grease 1/4" - 28
	WD-131-1216	1		LOCKNUT



135-028-190 FR-1800D (1995)
Air Cleaner

Page 11 of 97

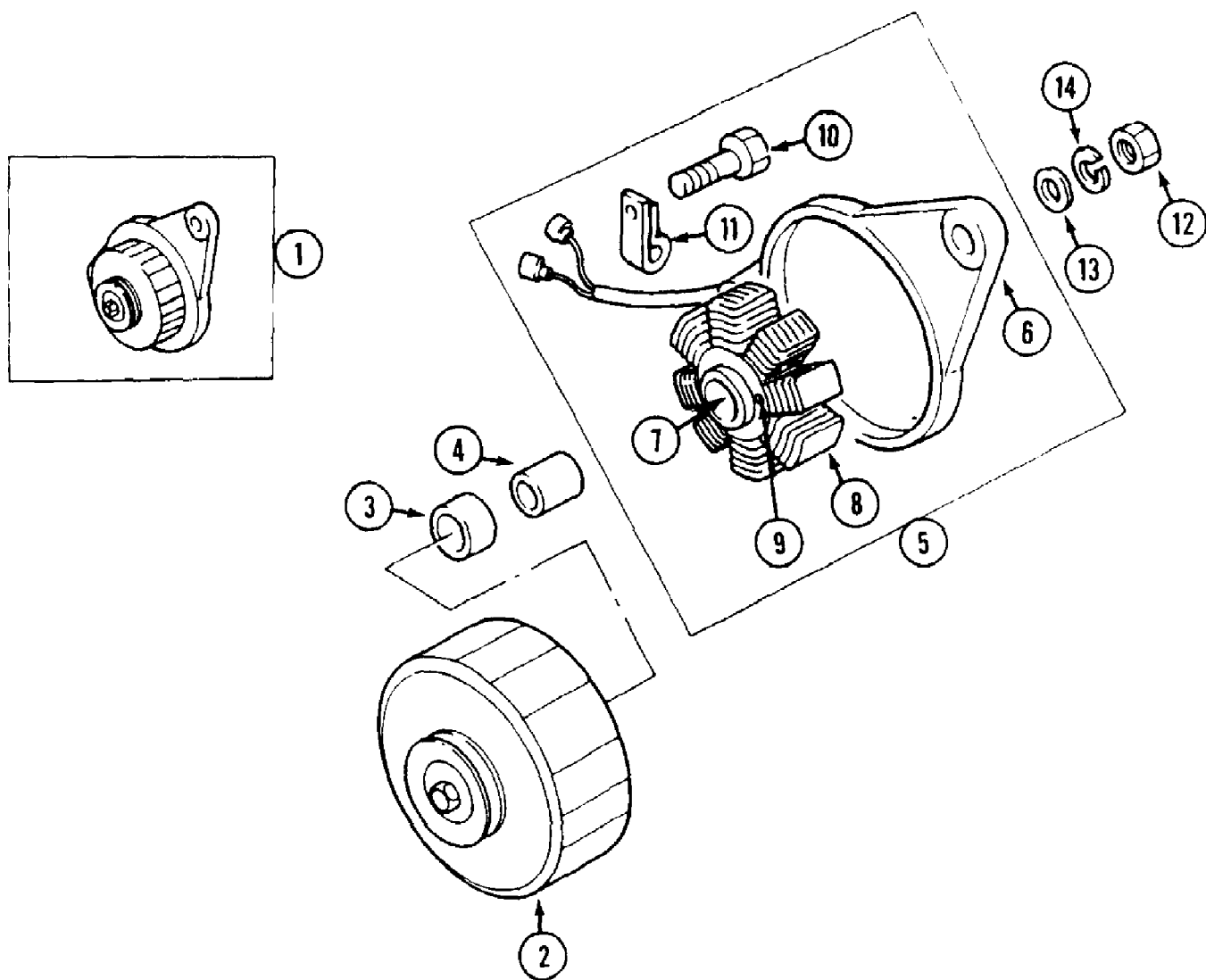
Ref #	Part Number	Qty	S/P/F	Description
1	WD-C43030	1		AIR CLEANER ASSEMBLY
	WD-C43445	1		ELEMENT - air cleaner
	WD-C43594	1		WING NUT - element
	WD-C43595	1		WING NUT - cup
	WD-C43596	1		WASHER - cup
2	WD-C43033	1		BRACKET - air cleaner
3	WD-C45305	1		HOSE - engine
4	WD-C45340	1		HOSE - air cleaner
5	WD-C43366	1		TUBE - air
6	WD-214-258	4		CLAMP - hose
7	WD-C31973	2		NUT - "J" 1/4" - 20
8	WD-113-2	2		BOLT - 1/4" - 20 x 5/8"
9	WD-192-19	2		LOCKWASHER - 1/4"
10	WD-C45306	1		INTAKE - air
11	WD-113-1	2		BOLT - 1/4" - 20 x 1/2"
12	WD-192-19	2		LOCKWASHER - 1/4"
13	WD-195-518	1		WASHER - 1/4"



135-028-190 FR-1800D (1995)
Alternator And Belt

Page 13 of 97

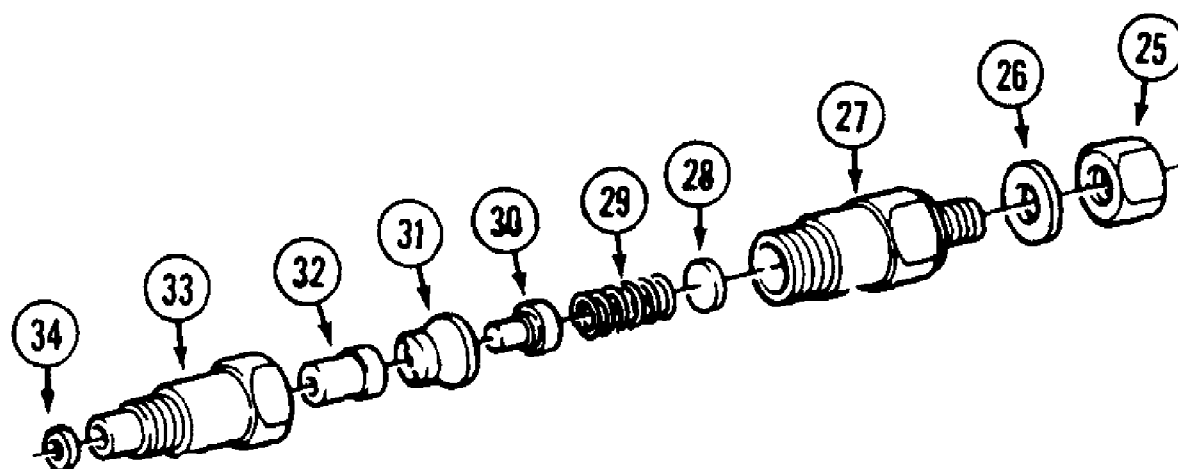
Ref #	Part Number	Qty	S/P/F	Description
1	WD-C43610	1		ALTERNATOR See "Alternator Assembly" illustration and parts list for service.
2	WD-P010110850	1		SCREW
3	WD-P026109011	1		WASHER
4	WD-P026200008	1		WASHER
5	WD-P012800840	1		SCREW
6	WD-P023100008	1		NUT
7	WD-P185726431	1		LEVER
8	WD-P011300816	1		SCREW
9	WD-P023100008	1		NUT
10	WD-P027100008	1		WASHER
11	WD-P080109048	1		BELT
12	WD-P026109017	1		WASHER



135-028-190 FR-1800D (1995)
Alternator Assembly

Page 15 of 97

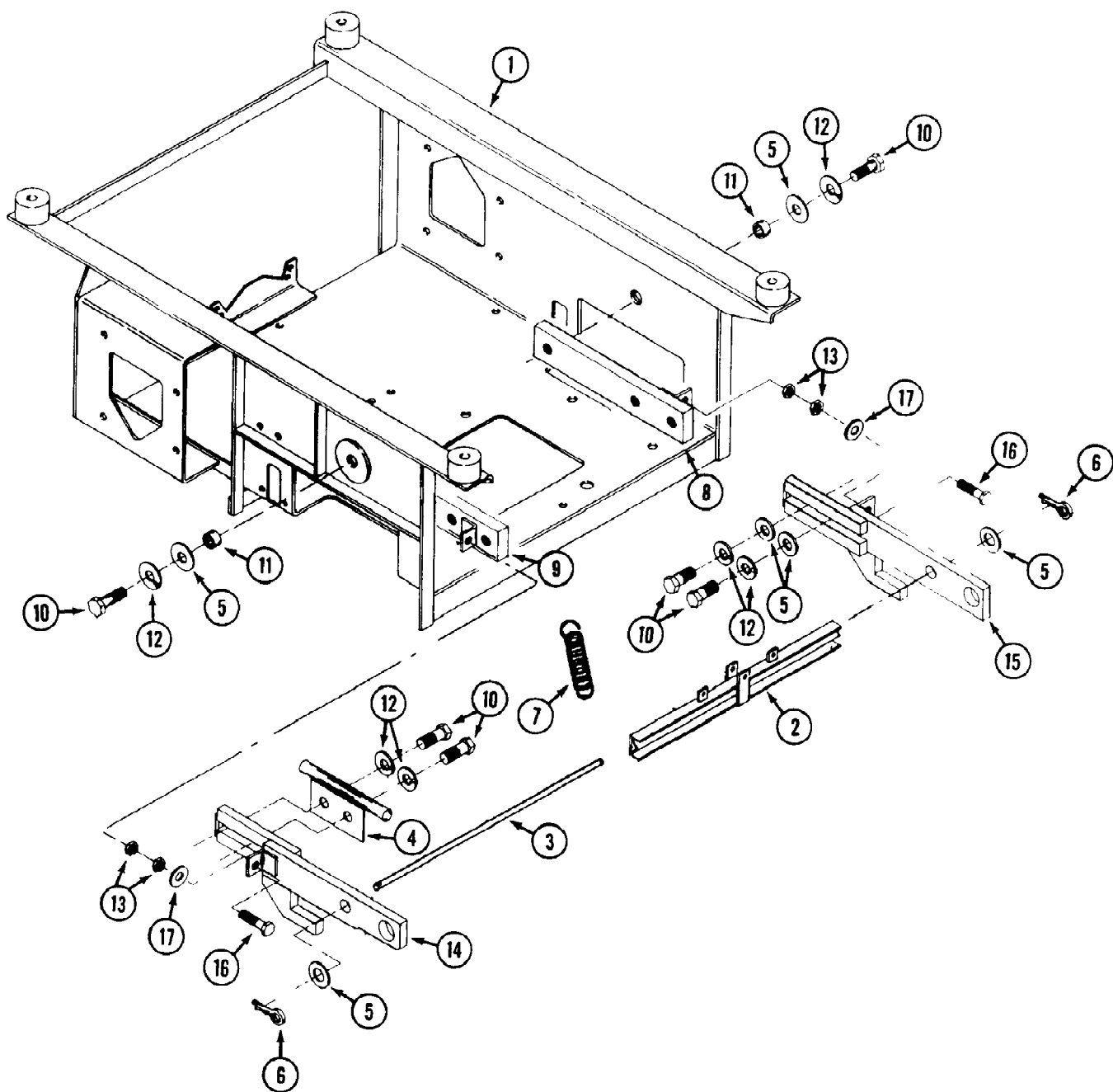
Ref #	Part Number	Qty	S/P/F	Description
1	WD-C43610	1		ALTERNATOR
2	WD-P185446219	1		PULLEY
3	WD-P040126201	1		BEARING
4	WD-P199236510	1		COLLAR
5	WD-P188446217	1		PLATE ASSEMBLY
6	WD-P185716200	1		PLATE
7	WD-P040126201	1		BEARING
8	WD-P185446218	1		STATOR
9	WD-P015140425	2		SCREW
10	WD-P016140408	1		SCREW
11	WD-P185446220	5		CLIP
12	WD-P020210010	1		NUT
13	WD-P026100010	1		WASHER
14	WD-P027100010	1		WASHER



135-028-190 FR-1800D (1995)
Atomizer

Page 17 of 97

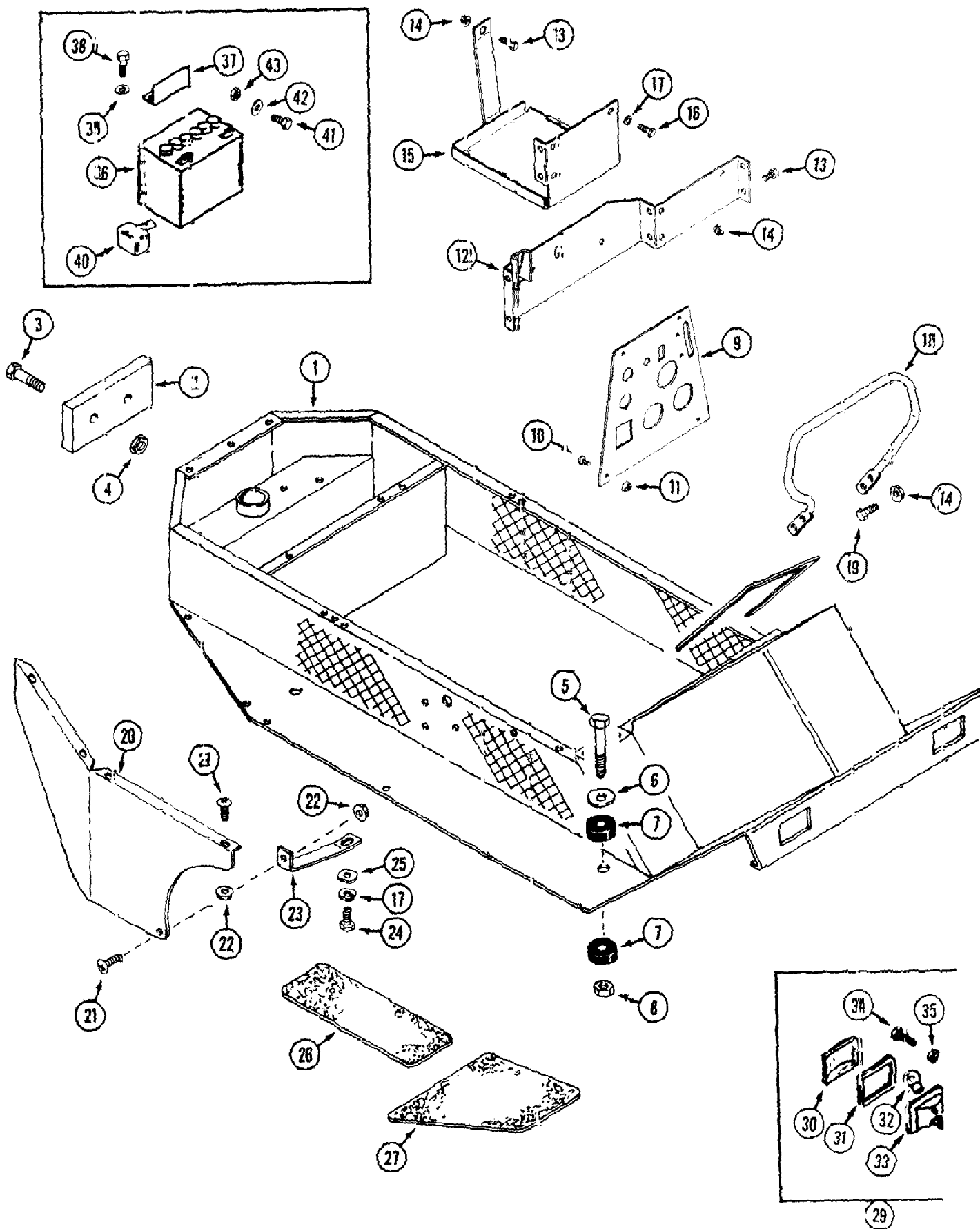
Ref #	Part Number	Qty	S/P/F	Description
	WD-P131406340	3		ATOMIZER
25	WD-P131446069	1		NUT
26	WD-P131426210	1		WASHER
27	WD-P131446065	1		BODY
28	WD-P131437250	UAR		SHIM - 0.90mm
	WD-P131437251	UAR		SHIM - 0.925mm
	WD-P131437252	UAR		SHIM - 0.95mm
	WD-P131437253	UAR		SHIM - 0.975mm
	WD-P131437254	UAR		SHIM - 1.00mm
	WD-P131437255	UAR		SHIM - 1.025mm
	WD-P131437256	UAR		SHIM - 1.05mm
	WD-P131437257	UAR		SHIM - 1.075mm
	WD-P131437258	UAR		SHIM - 1.10mm
	WD-P131437259	UAR		SHIM - 1.125mm
	WD-P131437260	UAR		SHIM - 1.15mm
	WD-P131437261	UAR		SHIM - 1.175mm
	WD-P131437262	UAR		SHIM - 1.20mm
	WD-P131437263	UAR		SHIM - 1.225mm
	WD-P131437264	UAR		SHIM - 1.250mm
	WD-P131437265	UAR		SHIM - 1.275mm
	WD-P131437266	UAR		SHIM - 1.30mm
	WD-P131437267	UAR		SHIM - 1.325mm
	WD-P131437268	UAR		SHIM - 1.35mm
	WD-P131437269	UAR		SHIM - 1.375mm
	WD-P131437270	UAR		SHIM - 1.40mm
	WD-P131437271	UAR		SHIM - 1.425mm
	WD-P131437272	UAR		SHIM - 1.45mm
29	WD-P131446066	1		SPRING
30	WD-P131446070	1		PIN
31	WD-P131446068	1		SPACER
32	WD-P131416150	1		NOZZLE
33	WD-P131446067	1		NUT
34		1		UNKNOWN



135-028-190 FR-1800D (1995)
Base And Lift Arms

Page 19 of 97

Ref #	Part Number	Qty	S/P/F	Description
1	WD-C45207	1		BASE
2	WD-C37600	1		BAR - lift
3	WD-C37578	1		PIN - lift bar
4	WD-C37577	1		TUBE - wire
5	WD-195-106	6		WASHER - .56" x 1.38"
6	WD-132-310	2		PIN - cotter
7	WD-C37815	2		SPRING - deck lift
8	WD-C38996	1		ARM - deck lift, rear L.H.
9	WD-C39006	1		ARM - deck lift, rear R.H.
10	WD-113-417	6		BOLT - 1/2" - 13 x 1-1/4"
11	WD-C37576	2	/P	BUSHING - .38"
12	WD-192-23	6		LOCKWASHER - 1/2"
13	WD-129-103	4	S	NUT - 3/8" - 16
14	WD-C37573	1		ARM - deck lift, front R.H.
15	WD-C37574	1		ARM - deck lift, front, L.H.
16	WD-113-241	2		BOLT - 3/8" - 16 x 3"
17	WD-195-104	2		WASHER - 3/8"

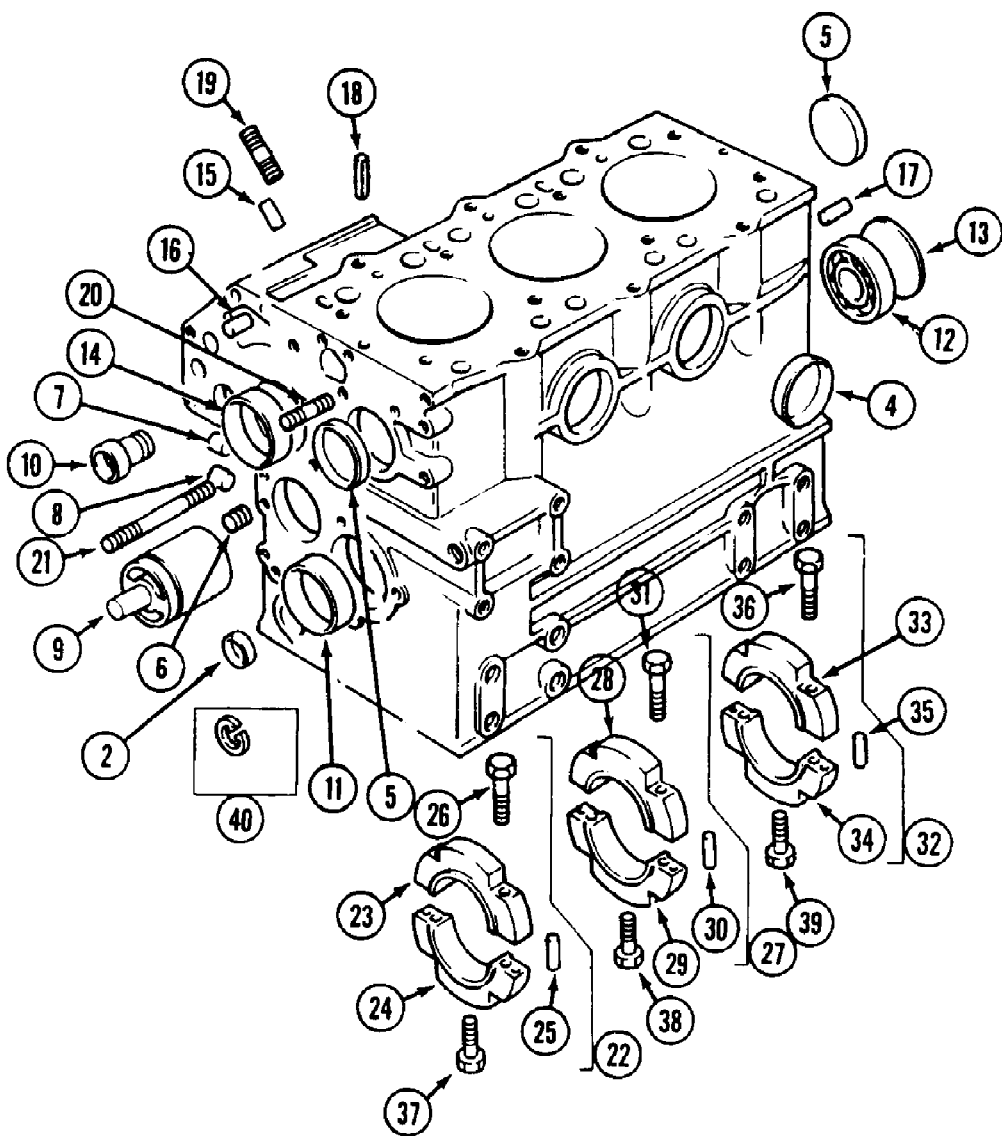
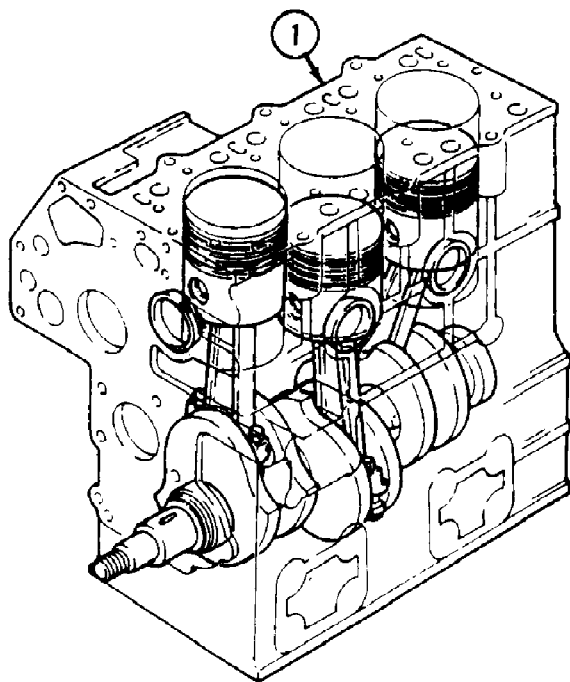


Ref #	Part Number	Qty	S/P/F	Description
1	WD-C45252	1		BODY
2	WD-C45299	4		PLATE - weight
3	WD-113-248	4		BOLT - 3/8" - 16 x 2-3/4"
4	WD-131-1352	4		NUT - 3/8" - 16 Flange lock
5	WD-113-429	4		BOLT - 1/2" - 13 x 5"
6	WD-C37581	4		WASHER - 1/2" x 2"
7	WD-C37818	8		MOUNT - rubber, body
8	WD-131-70	4	S	NUT - 1/2" - 13 lock
9	WD-C45164	1		PANEL - instrument
10	WD-182-573	4		SCREW - #10 - 24 x 1/2"
11	WD-C34117	2		NUT - #10 - 24 flange lock
12	WD-C45354	1		CROSSMEMBER - body
13	WD-113-118	5		BOLT - 5/16" - 18 x 5/8"
14	WD-131-911	9	S	NUT - 5/16" - 18 flange lock
15	WD-C45349	1		TRAY - battery
16	WD-113-101	5		BOLT - 5/16" - 18 x 1/2"
17	WD-192-20	7		LOCKWASHER - 5/16"
18	WD-C44844	1		RAIL - guard
19	WD-113-102	4		BOLT - 5/16" - 18 x 3/4"
20	WD-C45346	1		SKIRT - fender L.H.
	WD-C45347	1		SKIRT - fender R.H. (Shown)
21	WD-182-547	10		SCREW - 1/4" - 20 x 1/2"
22	WD-131-934	10		NUT - 1/4" - 20 flange lock
23	WD-C45348	2		BRACE - fender
24	WD-113-103	2		BOLT - 5/16" - 18 x 1"
25	WD-195-103	2		WASHER - 3/8" x 7/8"
26	WD-C43382	2		PAD - footrest, side
27	WD-C43419	1		PAD - foot, front L.H.
	WD-C43420	1		PAD - foot, front R.H. (Shown)
?28	WD-C44035	1		TRIM - instrument panel
29	WD-C32178	2	/P	HEADLIGHT
30	WD-C22573	1	S	LENS
31	WD-C14304	1		GASKET
32	WD-C28932	1		BULB
33	~NSS	1		REFLECTOR
34	WD-113-4	2		BOLT - 1/4" - 20 x 1"
35	WD-129-101	2		NUT - 1/4" - 20
36	WD-C44071	1		BATTERY - 12V, 450 CCA
37	WD-C44004	1		RETAINER - battery
38	WD-113-17	1		BOLT - 1/4" - 20 x 1-1/4"
39	WD-195-518	1		WASHER - .28" x .62"
40	WD-C43046	1		INSULATOR - post
41	WD-113-3	2		BOLT - 1/4" - 20 x 3/4"
42	WD-195-102	2		WASHER - 1/4"
43	WD-131-71	2		NUT - 1/4" - 20 lock

135-028-190 FR-1800D (1995)
Camshaft Case And Throttle Linkage

Page 23 of 97

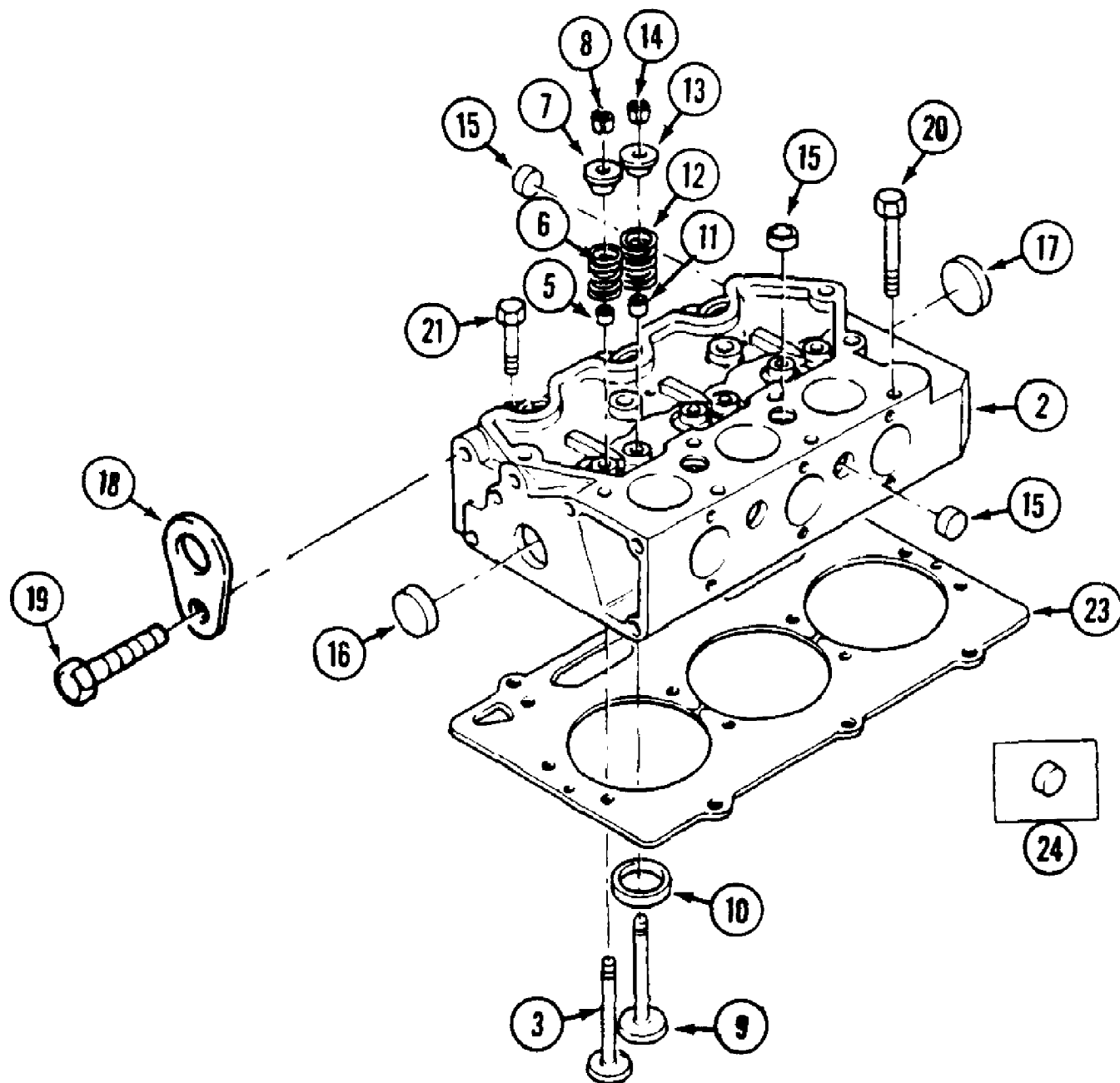
Ref #	Part Number	Qty	S/P/F	Description
1	WD-P125046140	1		LEVER ASSEMBLY
2	~NSS	1		LEVER
3	WD-P036800008	1		CIRCLIP
4	WD-P026200010	1		WASHER
5	WD-P125406071	1		LEVER
6	~NSS	1		LINK
7	~NSS	1		PIN
9	WD-P198217110	1		SPRING
10	WD-P031100004	1		PIN
11	WD-P198216731	1		SPRING
12	WD-P125156170	1		ARM
13	WD-P052100070	1		"O" RING
14	WD-P036800008	1		CIRCLIP
15	WD-P125416020	1		LEVER
16	WD-P010110630	1		SCREW
17	WD-P023100006	1		NUT
21	WD-P125116130	1		SHAFT
22	WD-P052100030	1		"O" RING
23	WD-P036800005	1		CIRCLIP
24	WD-P125976120	1		STAY
25	WD-P011300616	2		SCREW
26	WD-P010109264	2		SCREW
27	WD-P023100006	2		NUT
28	WD-P125176080	1		LEVER
29	WD-P198216760	1		SPRING
30	WD-P026200008	1		WASHER
31	WD-P020300008	2		NUT
34	WD-P125156180	1		ARM
35	WD-P052100050	1		"O" RING
36	WD-P036800006	1		CIRCLIP
37	WD-P165206360	1		PLATE
38	WD-P165996420	1		GASKET
39	WD-P010110850	4		SCREW
40	WD-P023100008	4		NUT
41	WD-P185206082	1		SOLENOID - fuel shut off
42	WD-P025100016	1		WASHER



135-028-190 FR-1800D (1995)
Cylinder Block

Page 25 of 97

Ref #	Part Number	Qty	S/P/F	Description
	WD-C42982	1		ENGINE - complete
1	WD-P110006670	1		BLOCK - cylinder, short
2	WD-P064200015	1		PLUG
4	WD-P064200040	2		PLUG
5	WD-P064200040	2		PLUG
6	WD-P198466050	3		PLUG
7	WD-P198466010	4		PLUG
8	WD-P198466070	2		PLUG
9	WD-P165296160	1		SHAFT
10	WD-P198517090	1		BUSHING
11	WD-P198517300	1		BUSHING - standard
	WD-P198517304	UAR		BUSHING - 0.25 mm undersize
	WD-P198517307	UAR		BUSHING - 0.50 mm undersize
12	WD-P040106203	1		BEARING - ball
13	WD-P064100045	1		PLUG
14	WD-P042303015	1		BUSHING
15	WD-P030500512	2		DOWEL
16	WD-P030500616	2		DOWEL
17	WD-P030500820	2		DOWEL
18	WD-P030309005	2		PIN
19	WD-P012100620	2		STUD
20	WD-P012100635	1		STUD
21	WD-P012100660	1		STUD
22	WD-P110156220	1		HOLDER
23	~NSS	1		CAP
24	~NSS	1		CAP
25	WD-P030500612	2		DOWEL
26	WD-P010810840	2		SCREW
27	WD-P110156230	1		HOLDER
28	~NSS	1		CAP
29	~NSS	1		CAP
30	WD-P030500612	2		DOWEL
31	WD-P010810840	2		SCREW
32	WD-P110156240	1		HOLDER
33	~NSS	1		CAP
34	~NSS	1		CAP
35	WD-P030500612	2		DOWEL
36	WD-P010810840	2		SCREW
37	WD-P011310850	1		SCREW
38	WD-P011310850	1		SCREW
39	WD-P010700845	2		SCREW
40	WD-P036509005	1		CIRCLIP
?41	WD-P064200018	2		PLUG



135-028-190 FR-1800D (1995)
Cylinder Head

Page 27 of 97

Ref #	Part Number	Qty	S/P/F	Description
?1	WD-P111016911	1		KIT - cylinder head
2	WD-P111086030	1		HEAD - cylinder (Includes ref. 15-17 and 24)
3	WD-P120166280	3		VALVE inlet
5	WD-P120406080	3		SEAL
6	WD-P198217070	3		SPRING
7	WD-P120186100	3		CAP
8	WD-P120226080	6		RETAINERS
9	WD-P120176290	3		VALVE - exhaust
10	WD-P110136290	3		INSERT
11	WD-P120406080	3		SEAL
12	WD-P198217070	3		SPRING
13	WD-P120186100	3		CAP
14	WD-P120226080	6		RETAINERS
15	WD-P198466070	4		PLUG
16	WD-P064200022	3		PLUG
17	WD-P064200022	3		PLUG
18	WD-P195816200	2		PLATE - lifting
19	WD-P011310816	2		SCREW
20	WD-P111136340	11		SCREW
21	WD-P111136350	3		SCREW
23	WD-C43611	1		GASKET
23	WD-P111147390	UAR		GASKET - (0.5mm oversize)
24	WD-P064200018	2		PLUG Included in cylinder head kit

WARNING

READ OPERATOR'S MANUALS
KNOW LOCATION & FUNCTION OF ALL CONTROLS
KEEP ALL GUARDS, SHIELDS & SAFETY DEVICES
IN PLACE & WORKING
CLEAN WORK AREA OF THINGS THAT COULD
BE TRIPPED BY THE BLADES
DO NOT WORK NEAR CHILDREN OR OTHERS ARE AROUND
NEVER CARRY CHILDREN
LOOK DOWN & AHEAD BEFORE AND WHILE BACKING
GO UP AND DOWN SLOPES, NOT ACROSS
IF BACKING STOP ENGINE IMMEDIATELY STOP BLADES
AND BACK DOWN SLOWLY
AVOID SWIFT TURNS
FAILURE TO OBSERVE THESE PRECAUTIONS
COULD RESULT IN SERIOUS INJURY OR DEATH

21

13



4

10

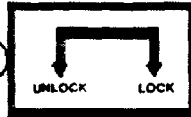
OPERATION OF CONTROLS

CAUTION! READ OPERATING MANUAL BEFORE OPERATING THIS MACHINE

CONTROL THE SPEED THROUGH THE USE OF TRANSMISSION CONTROL ONLY

FORWARD	:	:
NEUTRAL	:	:
REVERSE	:	:

12



16

Lubrication reference guide

GET THE WHEEL AXLE BEARING OIL
CHECK WHEEL AXLE BEARING OIL
CHECK FUEL AIR FILTER
OIL WHEEL AXLE BEARINGS
TAXI WHEEL AXLE BEARINGS

Every 20 hrs
Every 40 hrs
Every 60 hrs
Every 80 hrs

11

CAUTION

THIS MACHINE HAS AN IGNITION INTER LOCK SAFETY SYSTEM ALL CONTROLS MUST BE IN NEUTRAL BEFORE THE ENGINE WILL START

17

HYDRAULIC OIL

23

CAUTION

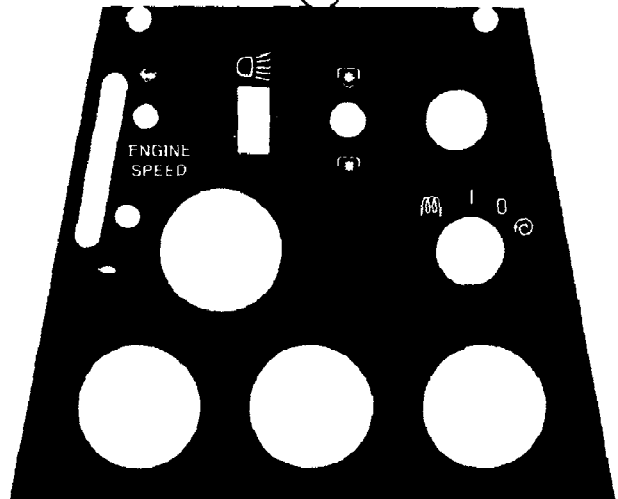
WHEN THE VACUUM BLOWER IS REMOVED FROM THE MOWER DECK, REPLACE IT WITH THE DISCHARGE CHUTE.

14

CAUTION

WHEN MOVING OR TRANSPORTING KEEP HYDRAULIC VALVE IN FLOAT POSITION

9



22

CAUTION

WHIRLING BLADES

KEEP HANDS AND FEET CLEAR

24

CAUTION

DO NOT OPERATE THIS MACHINE WITHOUT ENTIRE GRASS CHUTE OR VACUUM ASSEMBLY FURNISHED BY THE MANUFACTURER

25

DO NOT OPERATE MOWER UNLESS THIS GUARD OR ENTIRE GRASS CATCHER IS IN ITS PROPER PLACE.

DANGER

KEEP HANDS and FEET AWAY

18

DIESEL FUEL ONLY

20

CAUTION

DO NOT USE ETHER OR STARTING FLUID SEVERE ENGINE DAMAGE WILL OCCUR

19

CAUTION

A SOLUTION OF 50% ANTI-FREEZE AND 50% WATER MUST BE USED IN THIS ENGINE (FREEZING POINT ABOUT -4°F). DO NOT USE 100% ANTI-FREEZE (-7°F). SEVERE DAMAGE WILL OCCUR.

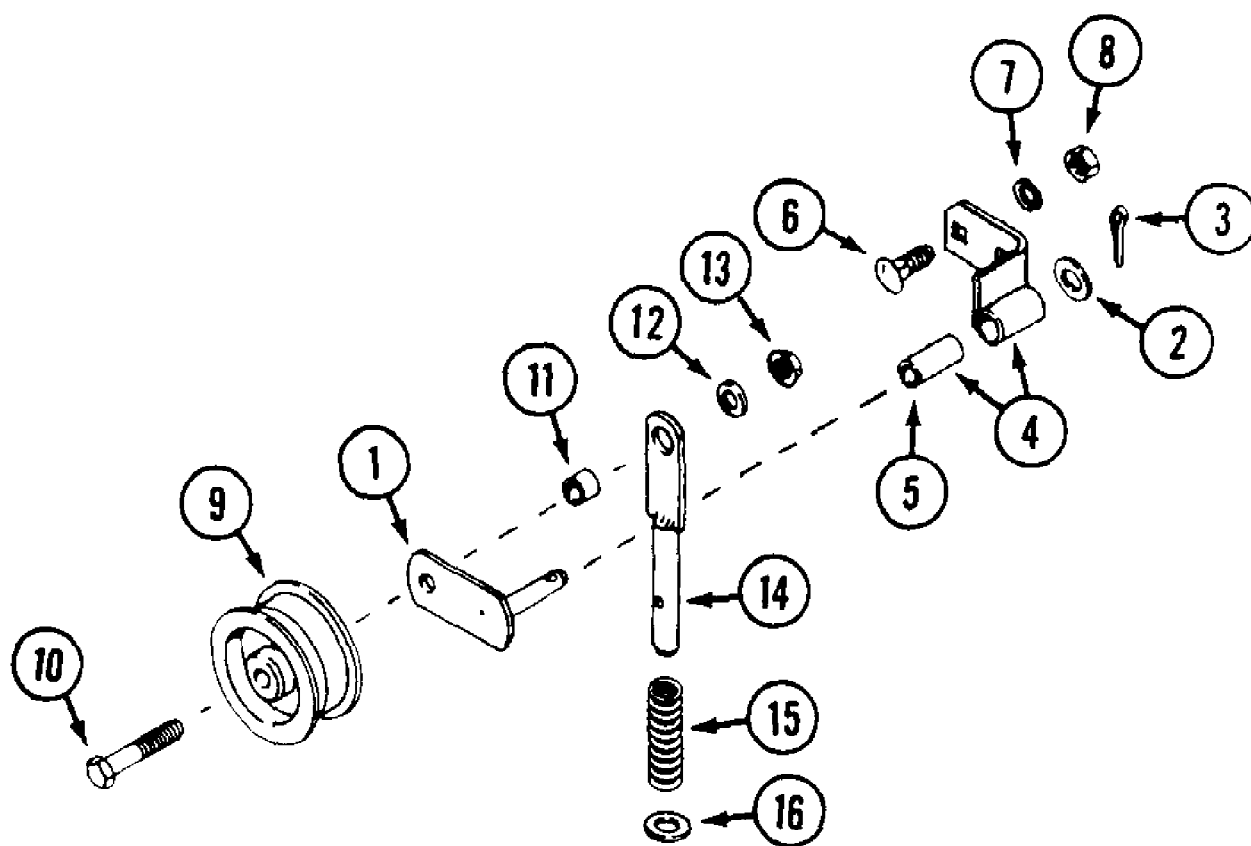
15

DANGER

ENGINES PRODUCE CARBON MONOXIDE WHICH IS AN odorless DEADLY POISON DO NOT OPERATE IN AN ENCLOSED AREA

Decals

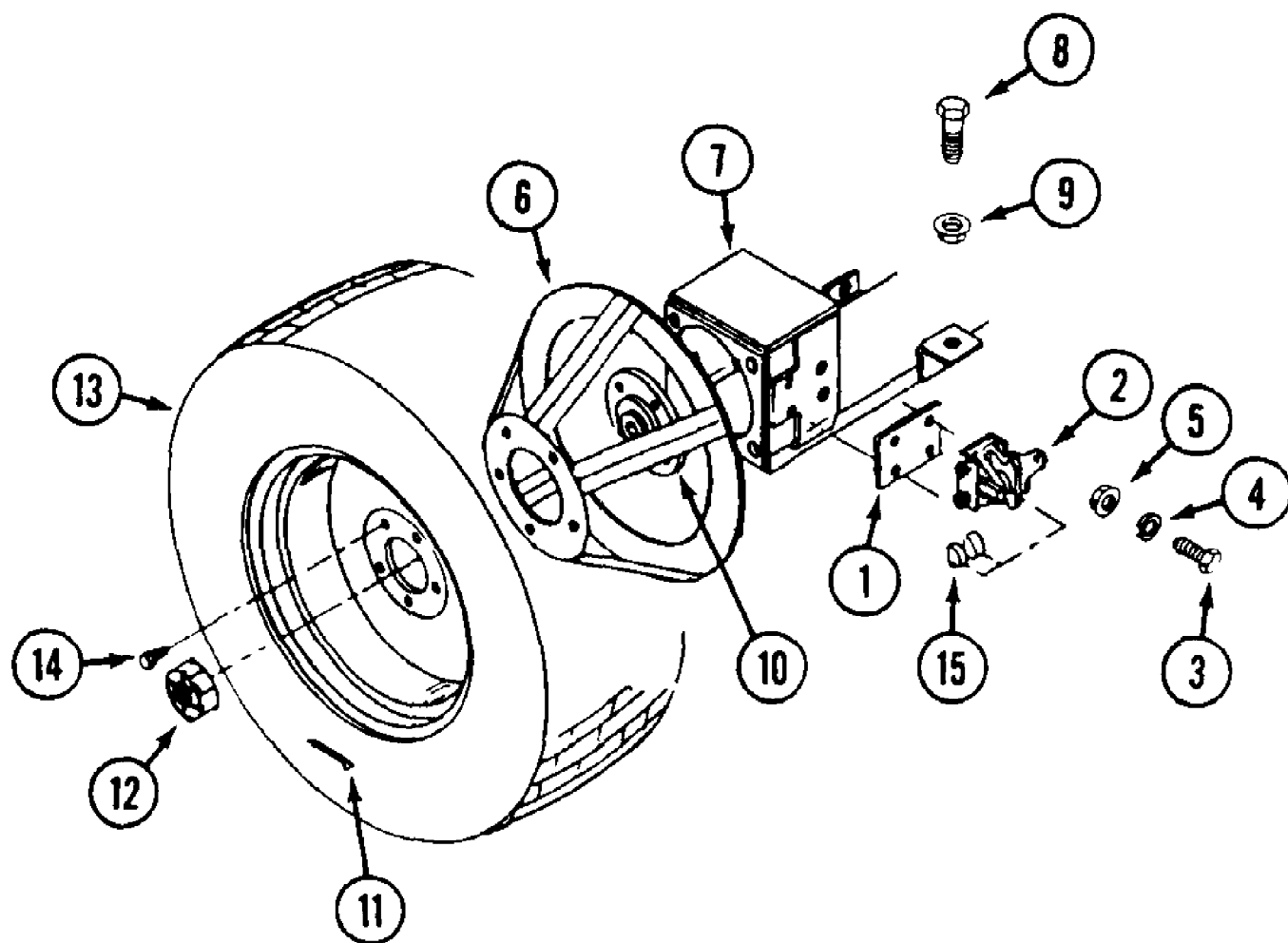
Ref #	Part Number	Qty	S/P/F	Description
?1	WD-C45864	1		DECAL - front
?2	WD-C45865	2		DECAL - side
4	WD-C38473	1		MEDALLION - White "Horse"
9	WD-C45163	1		DECAL - instrument panel
10	WD-C37495	1		DECAL - operation
11	WD-C37496	1		DECAL - "CAUTION" interlock
12	WD-C37502	1		DECAL - unlock/lock
13	WD-C37498	1		DECAL - run/park
14	WD-C37503	1		DECAL - "CAUTION" hydraulic lift
15	WD-C37500	1		DECAL - "DANGER" carbon monoxide
16	WD-C38807	1		DECAL - lubrication
17	WD-C37499	1		DECAL - hydraulic oil
18	WD-C37497	2		DECAL - diesel fuel only
19	WD-C43091	1		DECAL - anti-freeze
20	WD-C43092	1		DECAL - ether
21	WD-C44340	1		DECAL - "WARNING"
22	WD-C37491	1		DECAL - "WHIRLING BLADES"
23	WD-C37492	1		DECAL - "CAUTION" discharge
24	WD-C37493	1		DECAL - "CAUTION" grass chute
25	WD-C37494	1		DECAL - "DANGER"



135-028-190 FR-1800D (1995)
Drive Idler

Page 31 of 97

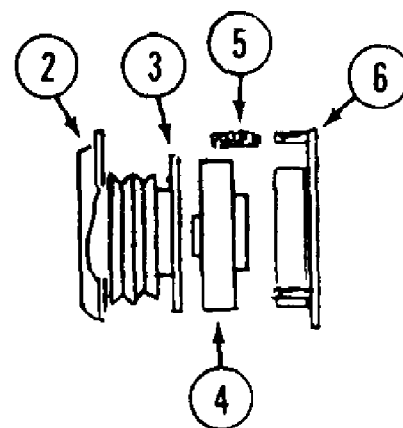
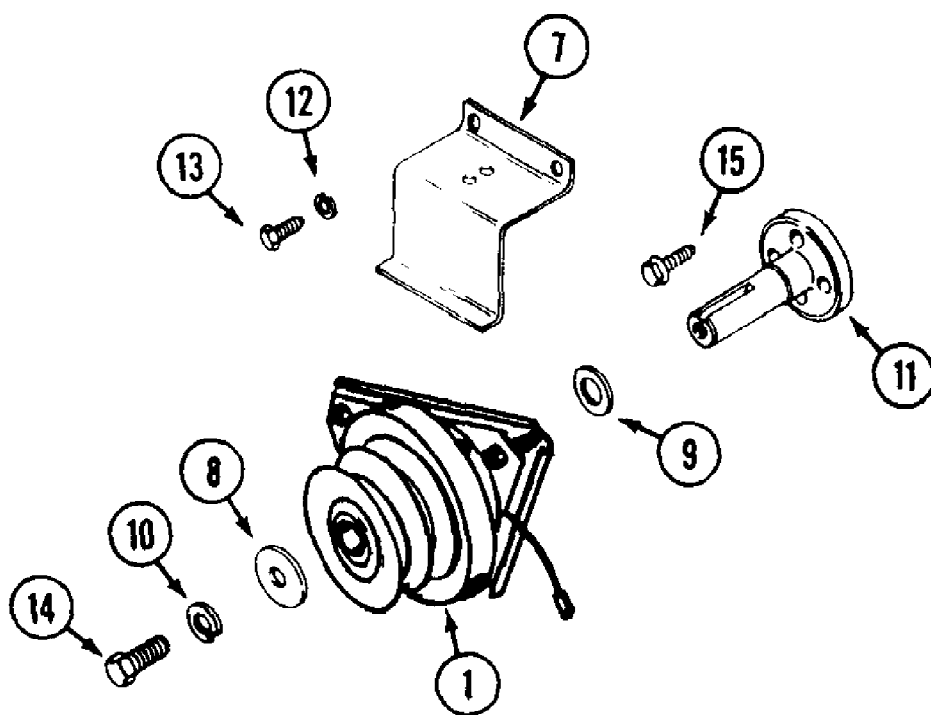
Ref #	Part Number	Qty	S/P/F	Description
1	WD-C45230	1		ARM - idler
2	WD-195-2067	1		WASHER - 1/2" x 7/8"
3	WD-132-320	1		PIN - cotter 3/32" x 3/4"
4	WD-C45400	1		BRACKET - pivot (Includes bushing)
5	WD-C16714	1		BUSHING - .50" x .62" x 1.5"
6	WD-111-342	2		BOLT - carriage 3/8" - 16 x 1"
7	WD-192-21	2	S	LOCKWASHER - 3/8"
8	WD-129-103	2	S	NUT - 3/8" - 16
9	WD-C38445	1	/P	PULLEY - 3.25" x 1.38"
10	WD-113-213	1		BOLT - 3/8" - 16 x 2-1/4"
11	WD-C16573	1		SPACER - .38" x .62" x .41"
12	WD-195-525	2		WASHER - 3/8"
13	WD-131-1352	1		NUT - 3/8" - 16 flange lock
14	WD-C45403	1		GUIDE - spring
15	WD-C45407	1		SPRING - compression
16	WD-C44383	1		WASHER - thrust



135-028-190 FR-1800D (1995)
Drive Wheels

Page 33 of 97

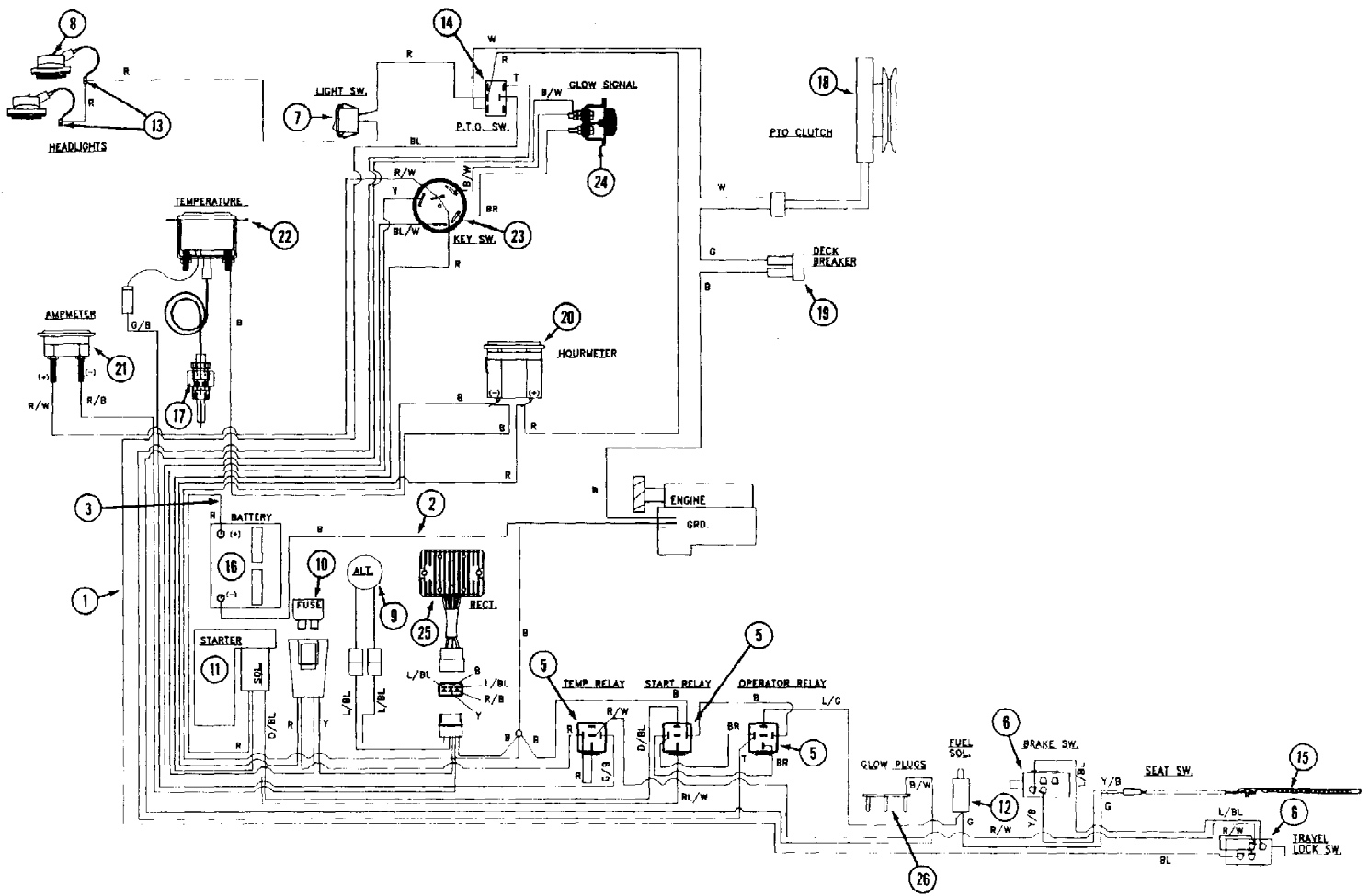
Ref #	Part Number	Qty	S/P/F	Description
1	WD-C45277	2		MOUNT - caliper
2	WD-C45485	1		BRAKE - caliper L.H.
	WD-C45486	1		BRAKE - caliper R.H.
3	WD-113-102	8		BOLT - 5/16" - 18 x 3/4"
4	WD-192-20	4		LOCKWASHER - 5/16"
5	WD-131-911	4	S	NUT - 5/16" - 18 flange lock
6	WD-C37611	2		DISC - brake
7	WD-C45274	1		AXLE - drive
8	WD-113-417	6		BOLT - 1/2" - 13 x 1-1/4" (axle mounting)
9	WD-131-930	6		NUT - 1/2" - 13 flange lock (axle mounting)
10	WD-C44847	2		HUB - mounting
11	WD-132-337	2		PIN - cotter 1/8" x 1-3/4"
12	WD-C37628	2		NUT - hub
13	~NSS	2		WHEEL ASSEMBLY - 20 x 10-10
	WD-C44850	1		RIM
14	WD-C44848	10		BOLT - lug 1/2" - 20 x 1"
15	WD-C37627	2	/P	PUCKS - brake (1 pair)



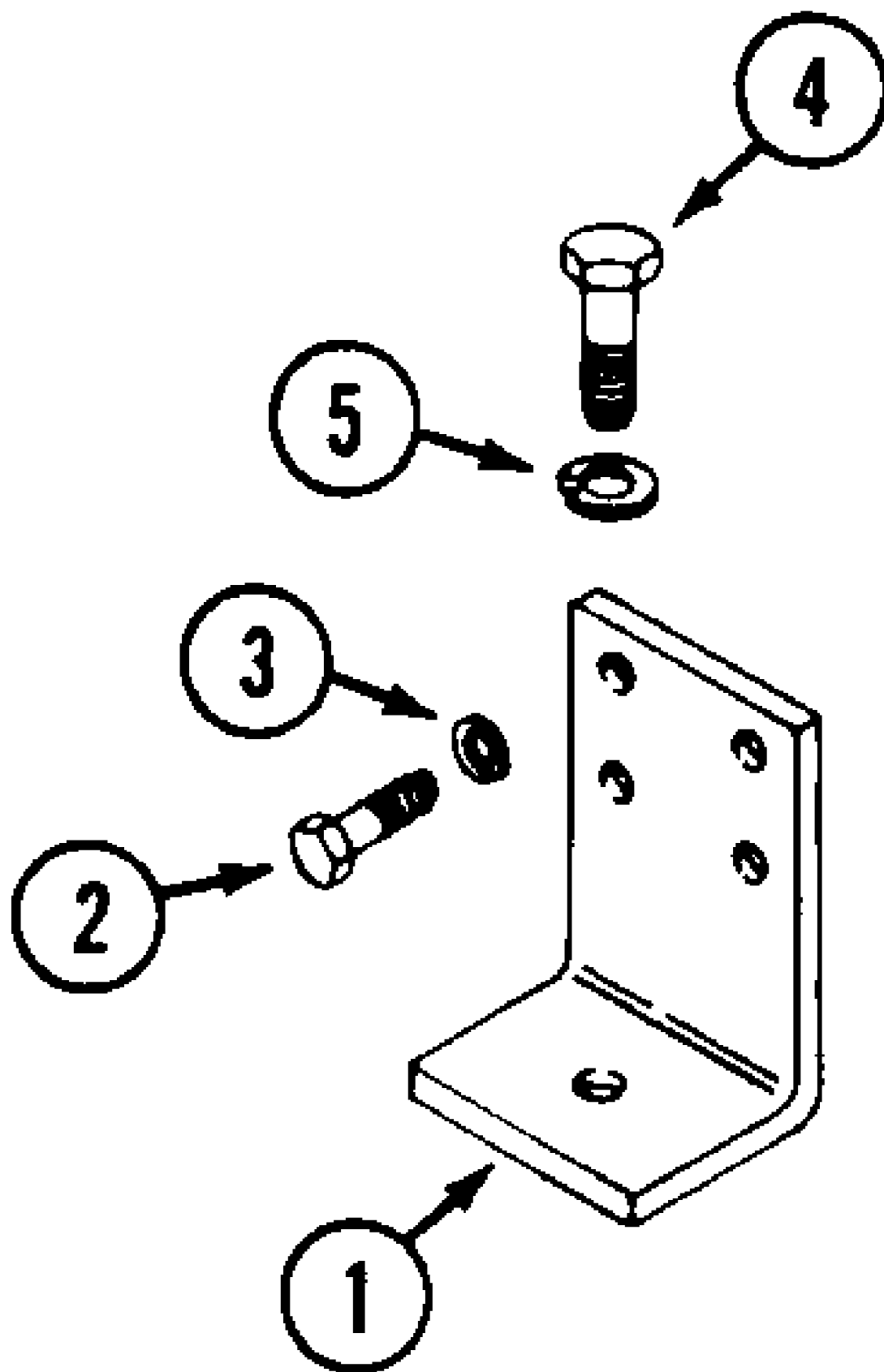
135-028-190 FR-1800D (1995)
Electric Clutch (PTO)

Page 35 of 97

Ref #	Part Number	Qty	S/P/F	Description
1	WD-C37569	1		CLUTCH - electric
2	WD-C37549	1		BRAKE - clutch
3	WD-C37570	1		ARMATURE - clutch
4	WD-C37551	1	/P	ROTOR - clutch
5	WD-C37652	1		KIT - spring and nut (3 each)
6	WD-C37553	1	S	COIL - clutch
7	WD-C45357	1		BRACKET - clutch stop
8	WD-C31615	1		WASHER - .41" x 1.75" x 1/4"
9	WD-C13716	1		WASHER - thrust 1" x 1.5"
10	WD-192-21	1	S	LOCKWASHER - 3/8"
11	WD-C44009	1		ADAPTER - clutch
12	WD-192-20	2		LOCKWASHER - 5/16"
13	WD-814-8016	2		BOLT - M8 - 1.25 x 16
14	WD-114-201	1	/P	BOLT - 3/8" -24 x 1-1 /4"
15	WD-C42828	4		SCREW - M10 - 1.25 x 34



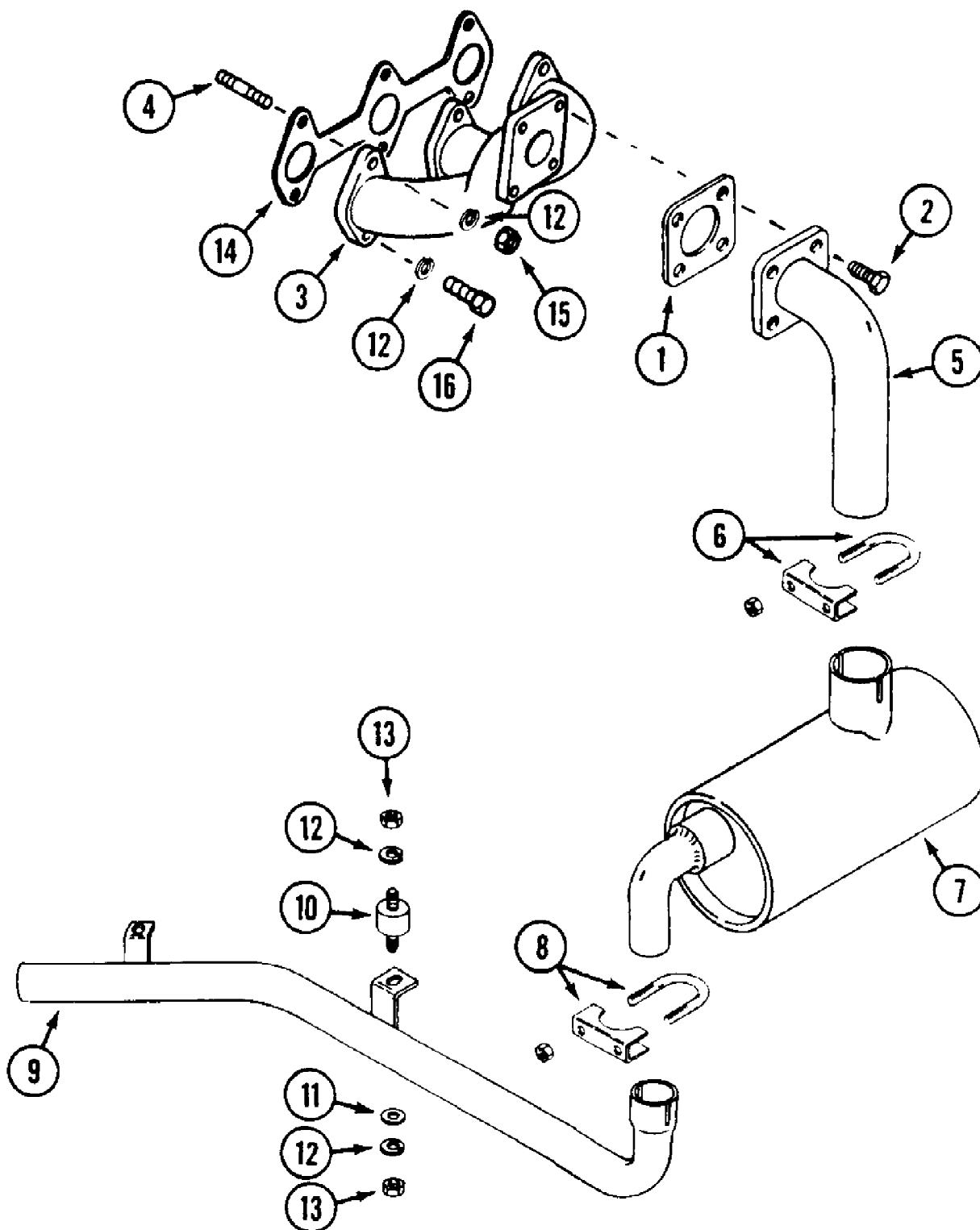
Ref #	Part Number	Qty	S/P/F	Description
1	WD-C45359	1		HARNESS main
2	WD-C43350	1		CABLE - battery (-)
3	WD-C43349	1		CABLE - battery (+)
?4	WD-C43046	1		INSULATOR - battery post
5	WD-C37515	3	/P	RELAY
	WD-182-573	3		SCREW - #10 - 24 x 1/2" (relay mount)
	WD-192-18	3		LOCKWASHER - #10 (relay mount)
6	WD-C37521	2	/P	SWITCH - 2 circuit
	WD-182-525	1		SCREW - #10 - 32 x 3/8" (2 circuit switch mount)
	WD-182-528	1		SCREW - #10 - 32 x 1/2" (2 circuit switch mount)
	WD-192-18	2		LOCKWASHER - #10 (2 circuit switch mount)
	WD-193-1000	2		NUT - #10 - 32 lock (2 circuit switch mount)
7	WD-C43044	1		SWITCH - light
8	WD-C32178	2	/P	HEADLIGHT
9	WD-C43610	1		ALTERNATOR
10	WD-C31947	1		KIT - fuse holder
	WD-C30260	1		FUSE - 30 amp
11	WD-C43609	1		STARTER
12	WD-P185206082	1		SOLENOID - fuel shut off
13	WD-C44169	2		CONNECTOR - headlight terminal
14	WD-C31937	1		SWITCH - PTO
	WD-C31620	1		NUT - 1/2" - 27 black (PTO switch mount)
	WD-C31619	1		CAP - PTO switch
15	WD-C44012	1		SWITCH - seat (N.O.)
16	WD-C44071	1		BATTERY - 12 volt, 450 CCA
17	WD-C43602	1		SENDER - temperator, water
18	WD-C37511	1	S	CLUTCH - PTO, electric
19	WD-C37505	1	S	BREAKER - circuit, 10 amp
20	WD-C42929	1		HOURMETER
21	WD-C29413	1		AMMETER
22	WD-C45363	1		GAGE - temperatures
	WD-C45364	1		TERMINAL - temperature gage
	WD-C44169	1		CONNECTOR - temperature gage
	WD-C31977	1		CLAMP - temperature tube
23	WD-C42829	1		SWITCH - ignition
	WD-C42855	1		KEY - ignition
24	WD-C42830	1		INDICATOR - glow plug
25	WD-C42831	1		REGULATOR - voltage
	WD-113-17	2		BOLT - 1/4" - 20 x 1-1/4" (regulator mount)
	WD-192-19	2		LOCKWASHER - 1/4" (regulator mount)
	WD-129-101	2		NUT - 1/4" - 20 (regulator mount)
26	WD-C43603	3		HEATER - glow plug



135-028-190 FR-1800D (1995)
Engine Mounts

Page 39 of 97

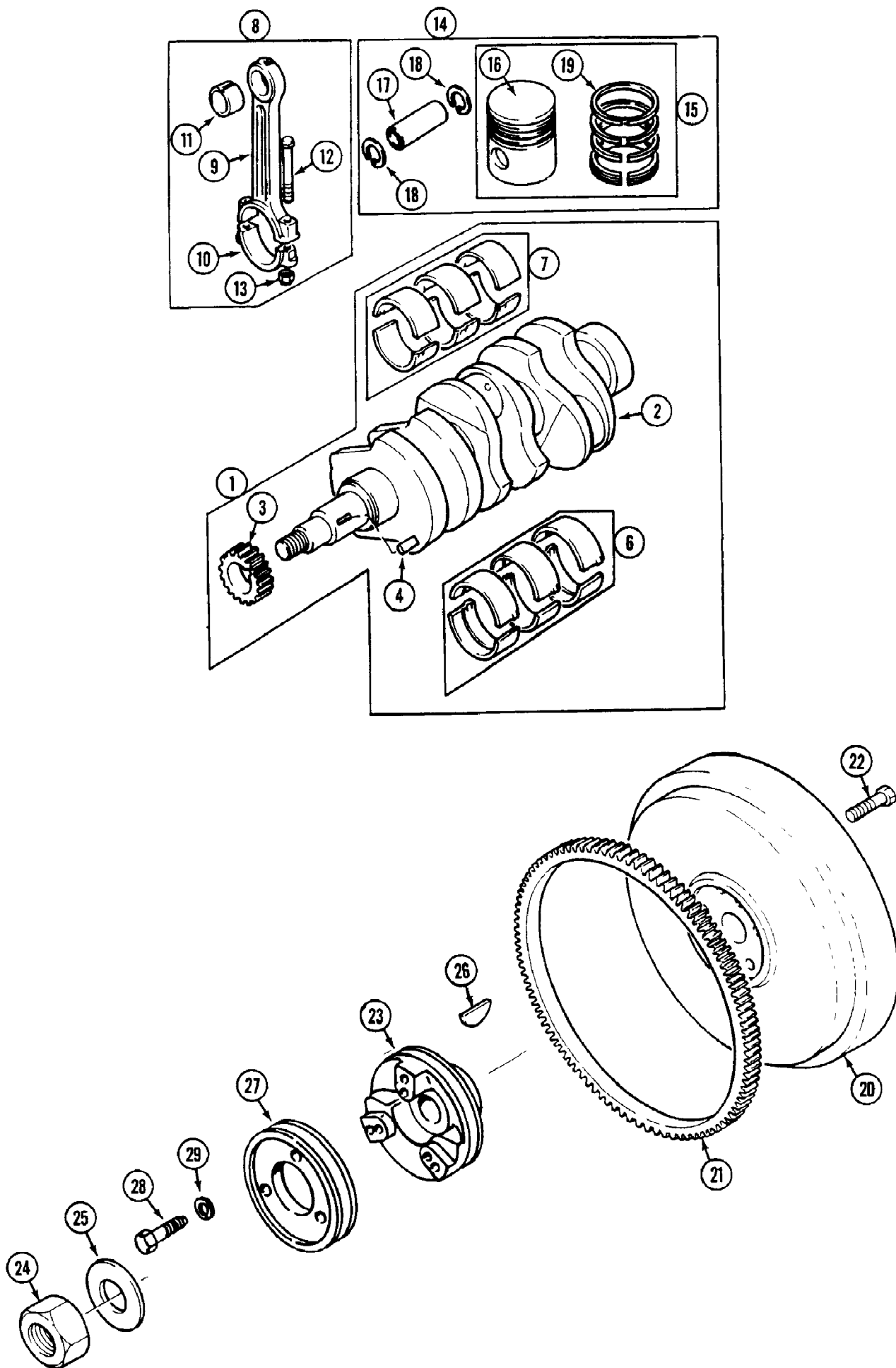
Ref #	Part Number	Qty	S/P/F	Description
1	WD-C45303	2		BRACKET - engine mount
2	WD-814-10025	16		BOLT - M10 x 1.5 x 25
3	WD-192-22	16		LOCKWASHER - 7/16"
4	WD-113-1	4		BOLT - 1/2" - 13 x 1-1/4"
5	WD-192-23	4		LOCKWASHER - 1/2"



135-028-190 FR-1800D (1995)
Exhaust System

Page 41 of 97

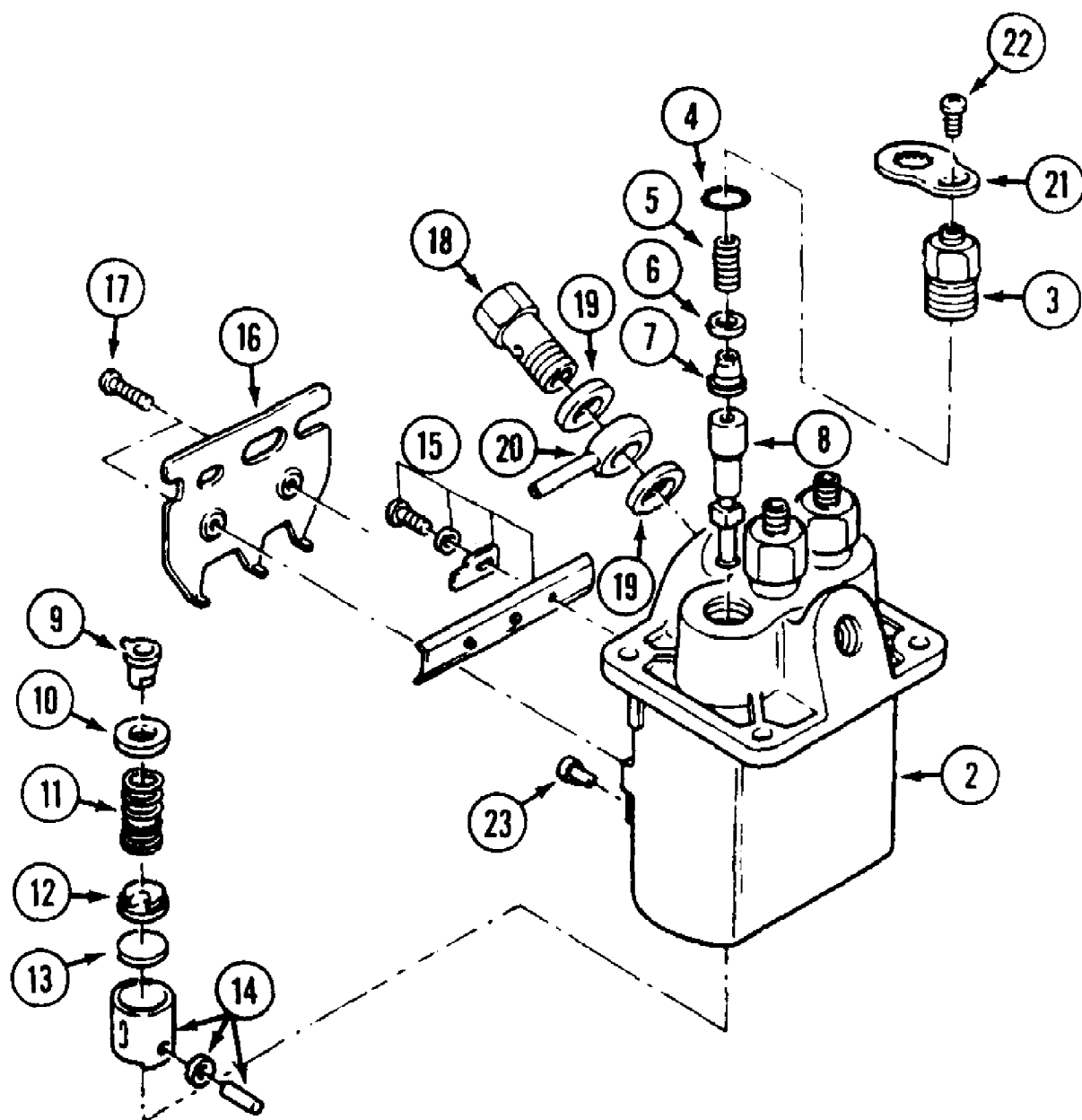
Ref #	Part Number	Qty	S/P/F	Description
1	WD-C42833	1		GASKET - exhaust
2	WD-C42834	4		BOLT - M8 - 1.25 x 25
3	WD-C45769	1		MANIFOLD - exhaust
4	WD-C45770	3		STUD - manifold
5	WD-C43135	1		PIPE - engine to muffler
6	WD-C42055	1		CLAMP - muffler 1-3/4"
7	WD-C45461	1		MUFFLER ASSEMBLY
8	WD-C31417	1		CLAMP - muffler 1-3/8"
9	WD-C45444	1		PIPE - exhaust
10	WD-C43012	1		MOUNT - rubber
11	WD-195-518	2		WASHER - 1/4"
12	WD-192-19	10		LOCKWASHER - 1/4"
13	WD-129-101	4		NUT - 1/4" - 20
14	WD-C43988	1		GASKET - manifold
15	WD-825-1106	3		NUT - M6 - 1.0
16	WD-814-6025	3		BOLT - M6 - 1.0 x 25



135-028-190 FR-1800D (1995)
Flywheel, Crankshaft, Pistons & Rings

Page 43 of 97

Ref #	Part Number	Qty	S/P/F	Description
1	WD-P115236020	1		KIT - crankshaft
2	~NSS	1		CRANKSHAFT
3	WD-P115276210	1		GEAR
4	WD-P030509020	1		KEY
6	WD-P198586030	1		KIT - bearing (standard)
	WD-P198586034	UAR		KIT - bearing (0.25mm undersize)
	WD-P198586037	UAR		KIT - bearing (0.50mm undersize)
7	WD-P198586060	1		KIT - bearing (standard)
	WD-P198586064	UAR		KIT - bearing (0.25mm undersize)
	WD-P198586067	UAR		KIT - bearing (0.50mm undersize)
8	WD-P115026240	3		ROD - connecting
9	~NSS	1		ROD
10	~NSS	1		CAP
11	WD-P198517325	1		BUSHING
12	WD-P115176130	2		SCREW
13	WD-P020109103	2		NUT
14	WD-P115017090	3		KIT - piston (standard)
	WD-P115017100	UAR		KIT - piston (0.50mm oversize)
15	~NSS	1		PISTON ASSEMBLY
16	~NSS	1		PISTON
17	WD-P115326260	1		PIN
18	WD-P036500019	2		CIRCLIP
19	WD-P115107400	1		KIT - rings (standard)
	WD-P115107410	1		KIT - rings (0.50mm oversize)
20	WD-P115357260	1		FLYWHEEL
21	WD-P115376150	1		RING
22	WD-P010109330	4		SCREW
23	WD-C45367	1		PULLEY
24	WD-P020800018	1		NUT
25	WD-P026200018	1		WASHER
26	WD-P034100508	1		KEY
27	WD-C45369	1		PULLEY - engine
28	WD-113-104	3		BOLT - 5/16" - 18 x 1-1/4
29	WD-192-20	3		LOCKWASHER - 5/16"



135-028-190 FR-1800D (1995)
Fuel Injection Pump

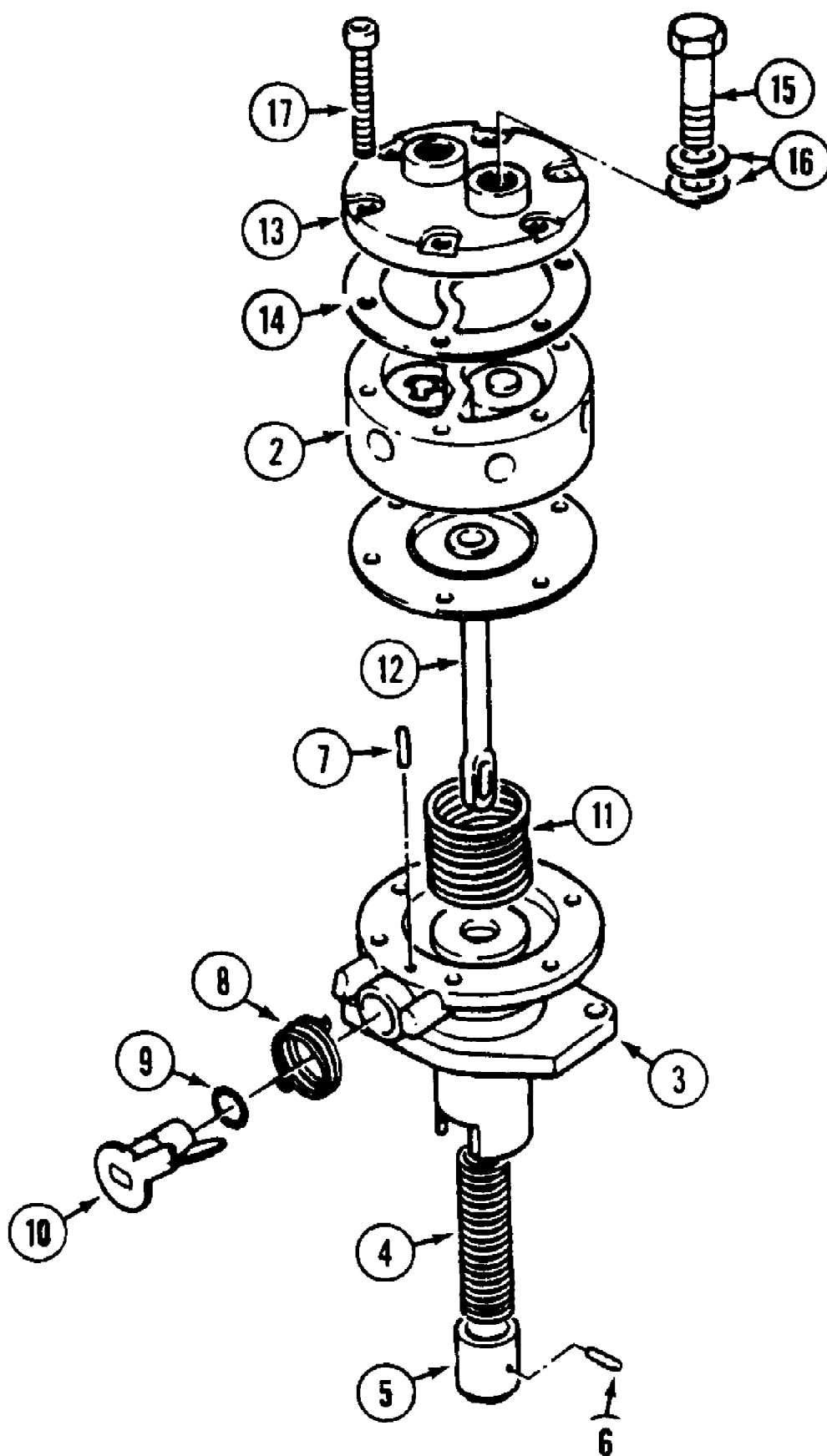
Page 45 of 97

Ref #	Part Number	Qty	S/P/F	Description
	WD-P131017390	1		PUMP - fuel injection
2	WD-P131296665	1		HOUSING
3	WD-P131196130	3		HOLDER
4	WD-P131226170	3		"O" RING
5	WD-P131176430	3		SPRING
6	WD-P131186050	3		GASKET
7	WD-P131156160	3		VALVE
8	WD-P131116410	3		ELEMENT
9	WD-P131296951	3		SLEEVE
10	WD-P131296620	3		SEAT
11	WD-P131176440	3		SPRING
12	WD-P131296621	3		SEAT
13	WD-P131296622	UAR		PLATE - shim 1.85mm
	WD-P131296623	UAR		PLATE - shim 1.90mm
	WD-P131296624	UAR		PLATE - shim 1.95mm
	WD-P131296625	UAR		PLATE - shim 2.00mm
	WD-P131296626	UAR		PLATE - shim 2.05mm
	WD-P131296627	UAR		PLATE - shim 2.10mm
	WD-P131296628	UAR		PLATE - shim 2.15mm
	WD-P131296629	UAR		PLATE - shim 2.20mm
	WD-P131296630	UAR		PLATE - shim 2.25mm
	WD-P131296631	UAR		PLATE - shim 2.30mm
	WD-P131296632	UAR		PLATE - shim 2.35mm
	WD-P131296633	UAR		PLATE - shim 2.40mm
	WD-P131296634	UAR		PLATE -- shim 2.45mm
	WD-P131296635	UAR		PLATE - shim 2.50mm
14	WD-P131256120	3		TAPPET
15	WD-P131296636	1		RACK
16	WD-P131296650	1		BRACKET
17	WD-P131136320	2		SCREW
18	WD-P131236190	1		BOLT
19	WD-P131426180	2		WASHER
20	WD-P131246130	1		NIPPLE
21	WD-P131296662	3		PLATE
22	WD-P131136330	3		SCREW
23	WD-P131296651	3		PIN

135-028-190 FR-1800D (1995)
Fuel Injection System

Page 47 of 97

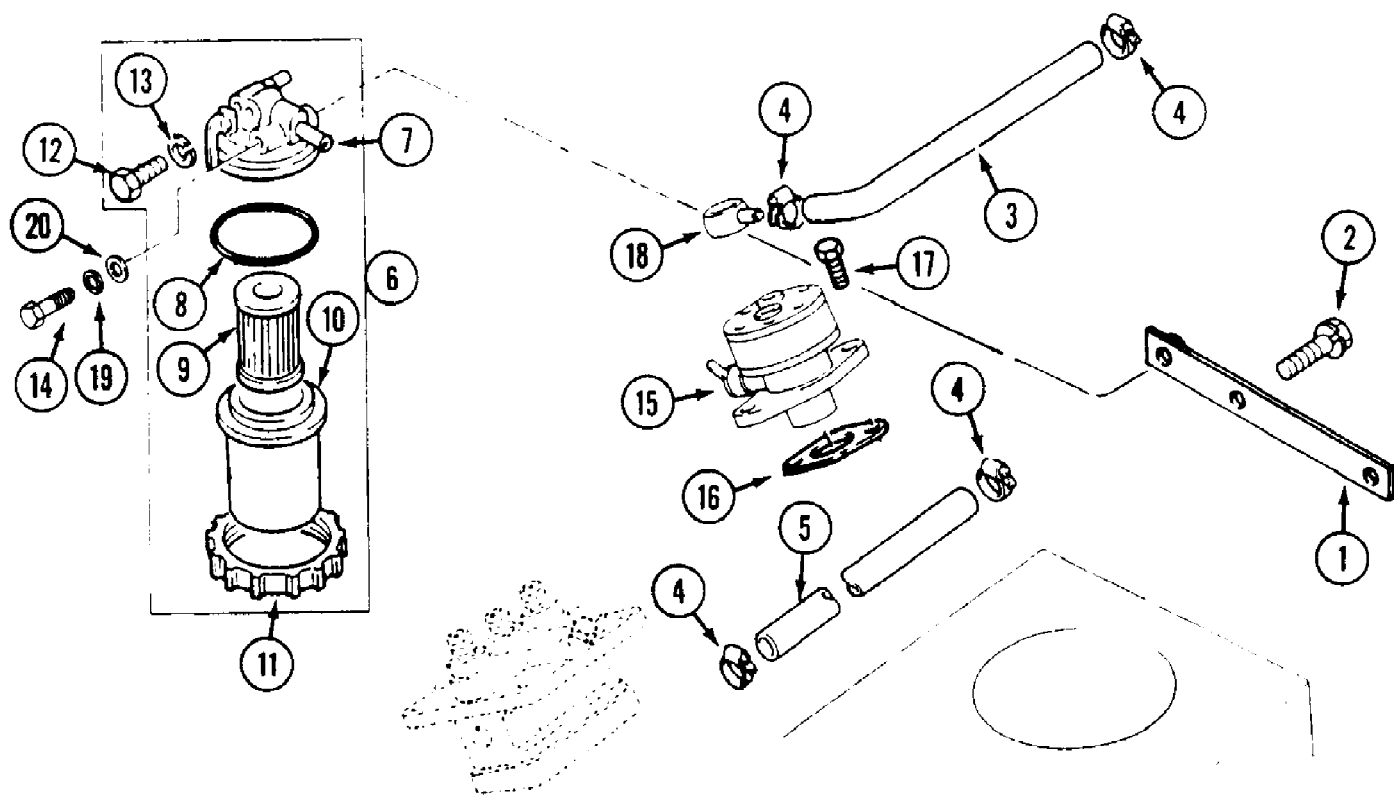
Ref #	Part Number	Qty	S/P/F	Description
1	WD-P131017390	1		PUMP - injection (For repairs see "Cylinder Block" illustration and parts list.)
2	WD-P131236280	1		SCREW
3	WD-P025100006	1		WASHER
4	WD-P131437310	UAR		SHIM - 0.2mm
	WD-P131437320	UAR		SHIM - 0.3mm
	WD-P131437330	UAR		SHIM - 0.4mm
	WD-P131437340	UAR		SHIM - 0.5mm
5	WD-P011300620	2		SCREW
6	WD-P023100006	6		NUT
8	WD-P131046160	1		SCREW
9	WD-P023109002	1		NUT
10	WD-P025100010	1		WASHER
11	WD-P198236030	1		WIRE
12	WD-P010109270	1		SCREW
13	WD-P023109002	1		NUT
14	WD-P025100010	1		WASHER
15	WD-P131507010	1		PIPE - injection (No. 1 cylinder)
16	WD-P131507020	1		PIPE - injection (No. 2 cylinder)
17	WD-P131507030	1		PIPE - injection (No. 3 cylinder)
18	WD-P199106020	2		DAMPER
19	WD-P199106020	2		DAMPER
20	WD-P010100625	2		SCREW
21	WD-P023100006	2		NUT
23	WD-P131406340	3		ATOMIZER - fuel (For repairs see "Cylinder Block" illustration and parts list.)
24	WD-P131426200	3		GASKET
25	WD-P111316280	3		INSERT
26	WD-P198996090	3		SEAL
27	WD-P131606260	1		PIPE



135-028-190 FR-1800D (1995)
Fuel Pump

Page 49 of 97

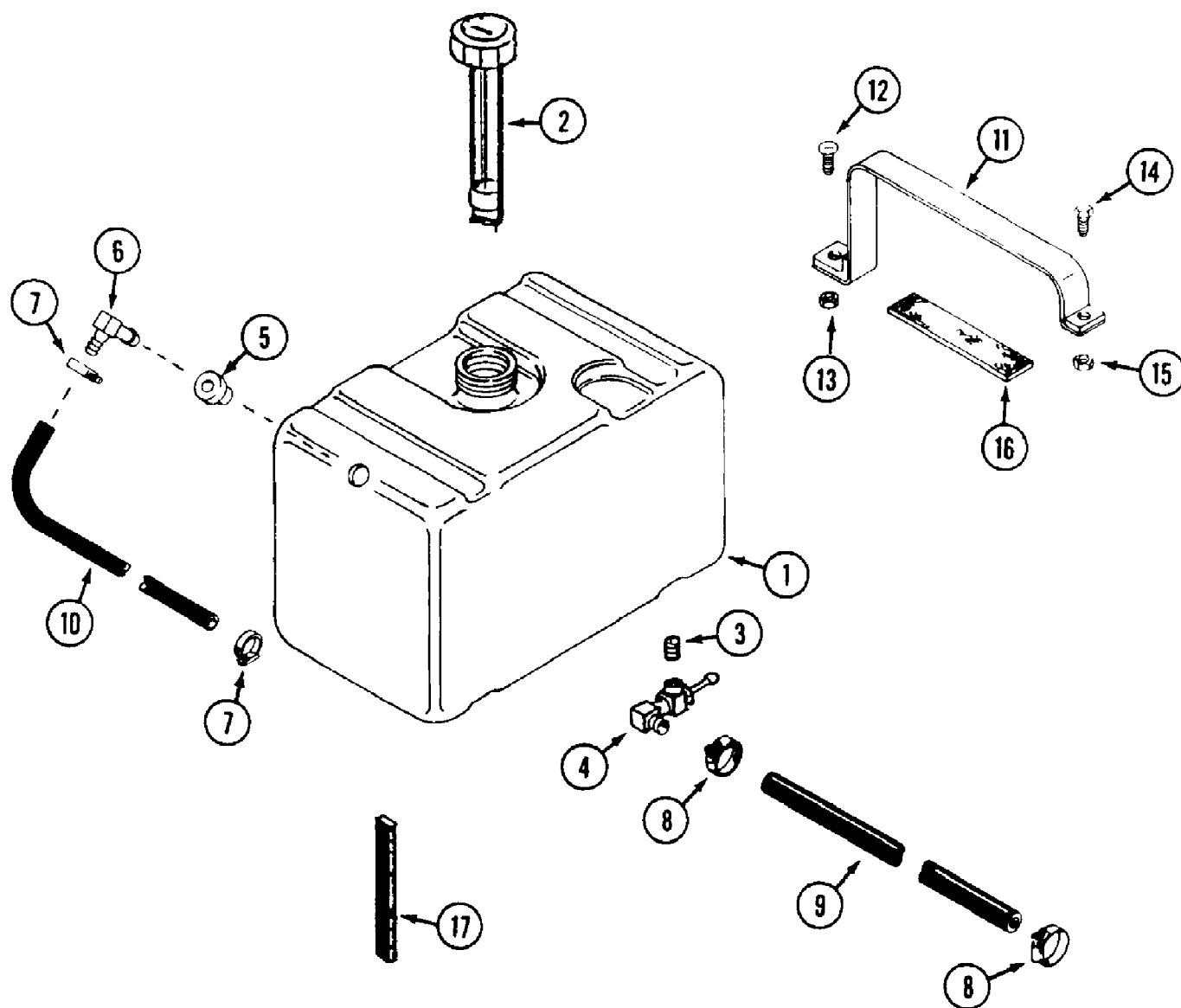
Ref #	Part Number	Qty	S/P/F	Description
?1	WD-C43604	1		PUMP - fuel
2	~NSS	1		BODY - upper
3	WD-P130516080	1		BODY - lower
4	WD-P130516081	1		SPRING
5	WD-P130516082	1		PLUNGER
6	WD-P130516085	1		PIN
7	WD-P130516088	1		PIN
8	WD-P130516083	1		SPRING
9	WD-P131226180	1		"O" RING
10	WD-P130516086	1		LEVER
11	WD-P130516087	1		SPRING
12	WD-P130516084	1		DIAPHRAGM
13	WD-P130516090	1		CAP
14	WD-P130516089	1		GASKET
15	WD-P130516092	2		BOLT
16	WD-P130516069	4		WASHER
17	WD-P130516091	6		SCREW



135-028-190 FR-1800D (1995)
Fuel System (Engine)

Page 51 of 97

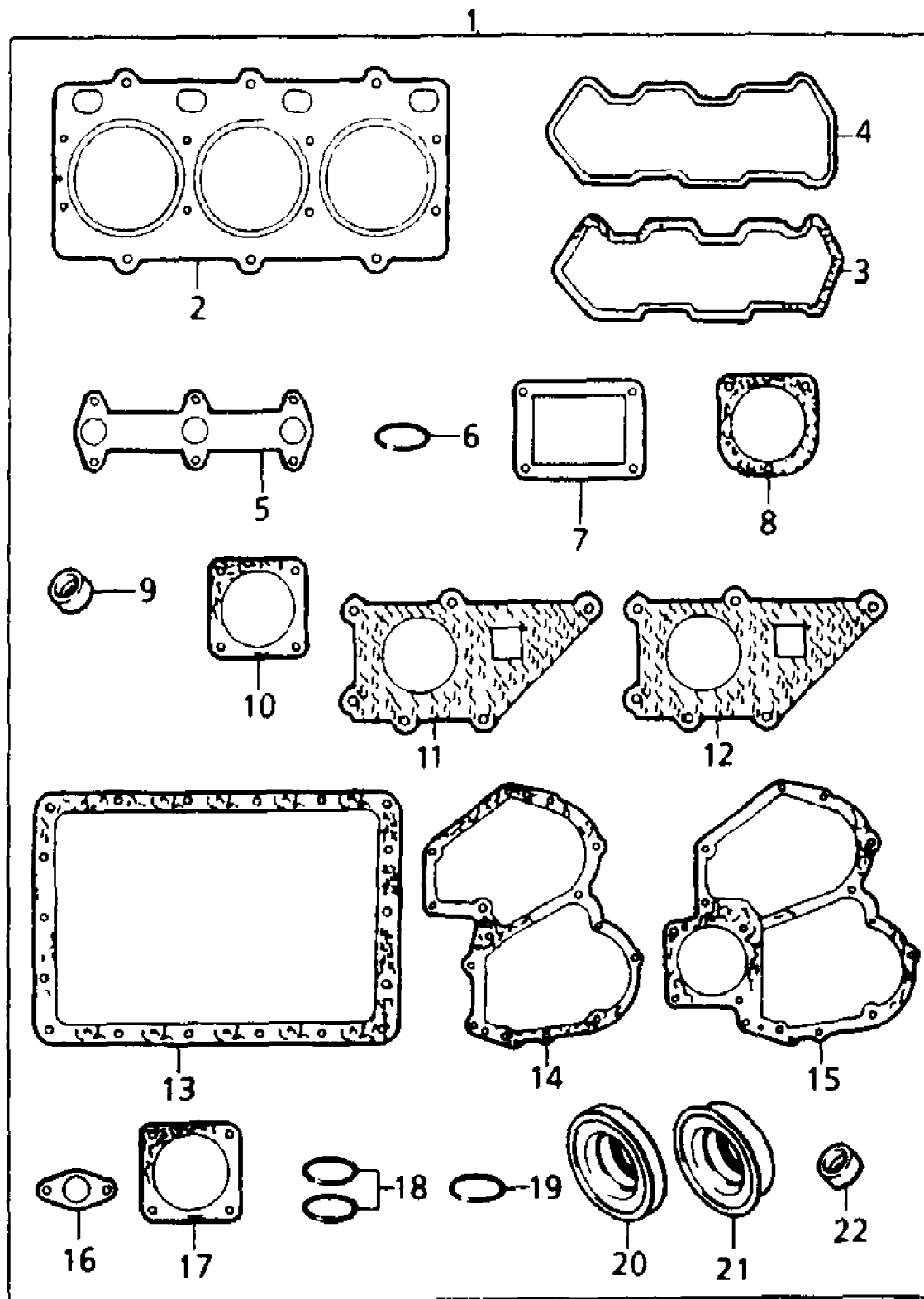
Ref #	Part Number	Qty	S/P/F	Description
1	WD-C45468	1		BRACKET - fuel filter mounting
2	WD-P011310816	2		SCREW
3	WD-C45470	1		HOSE - fuel (pump to filter) 5.5"
4	WD-P198346020	4		CLAMP - hose
5	WD-C42988	1		HOSE - filter to injection pump
6	WD-P130306041	1		FILTER ASSEMBLY - fuel
7	~NSS	1		HEAD
8	WD-C43597	1		"O" RING
9	WD-C43444	1		ELEMENT - fuel filter
10	WD-P130336031	1		CONTAINER
11	WD-P130446090	1		RING
12	WD-P130446080	2		PLUG
13	WD-P130326120	2		WASHER
14	WD-113-111	1		BOLT - 5/16" - 18 x 2-1/2"
15	WD-C43604	1		PUMP - fuel (See fuel pump illustration for parts.)
16	WD-P130996070	1		GASKET
17	WD-P011140616	2		SCREW
18	WD-P198486840	2		CONNECTOR
19	WD-192-20	1		LOCKWASHER - 5/16"
20	WD-195-521	1		WASHER - 5/16"



135-028-190 FR-1800D (1995)
Fuel System (Tractor)

Page 53 of 97

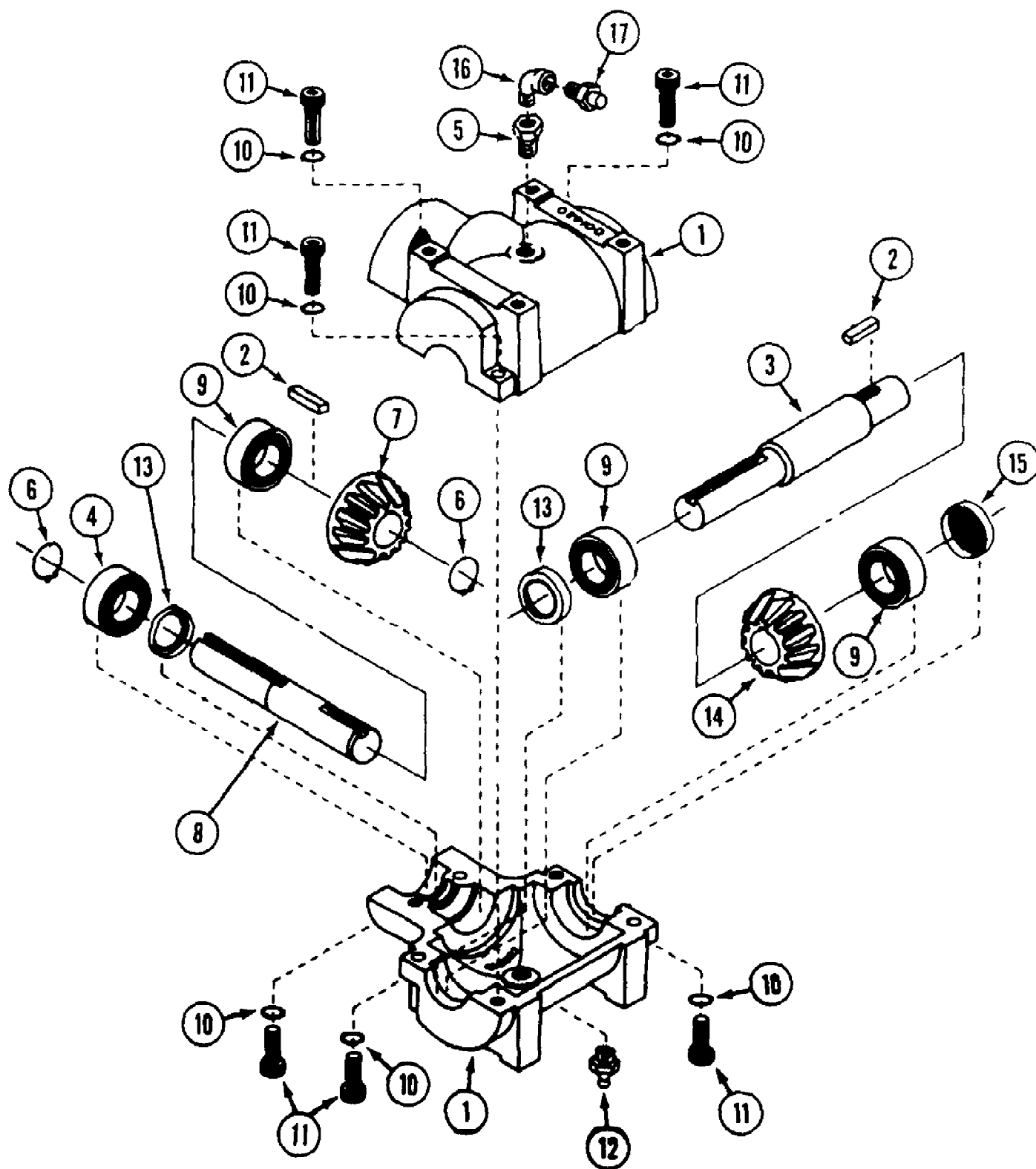
Ref #	Part Number	Qty	S/P/F	Description
1	WD-C45312	1		TANK - fuel
2	WD-C45334	1		CAP - fuel gauge
3	WD-221-1101	1		NIPPLE - pipe 1/8"
4	WD-C37811	1		FITTING - valve 1/8" x 904
5	WD-C43052	1		GROMMET - tank
6	WD-C43053	1		FITTING - return 90°.
7	WD-214-274	2		CLAMP - hose #4
8	WD-214-103	2		CLAMP - hose #8
9	WD-C43270	1		HOSE - fuel 1/4" x 45"
10	WD-C43271	1		HOSE - return 3/16" x 51"
11	WD-C45313	2		STRAP - fuel tank
12	WD-113-103	2		BOLT - 5/16" - 18 x 1"
13	WD-131-69	2		NUT - 5/16" - 18 lock
14	WD-113-3	2		BOLT - 1/4" - 20 x 3/4"
15	WD-131-71	2		NUT - 1/4" - 20 lock
16	WD-C34189	4		CUSHION
17	WD-C44584	1		FOAM - tank cushion



135-028-190 FR-1800D (1995)
Gasket Kit

Page 55 of 97

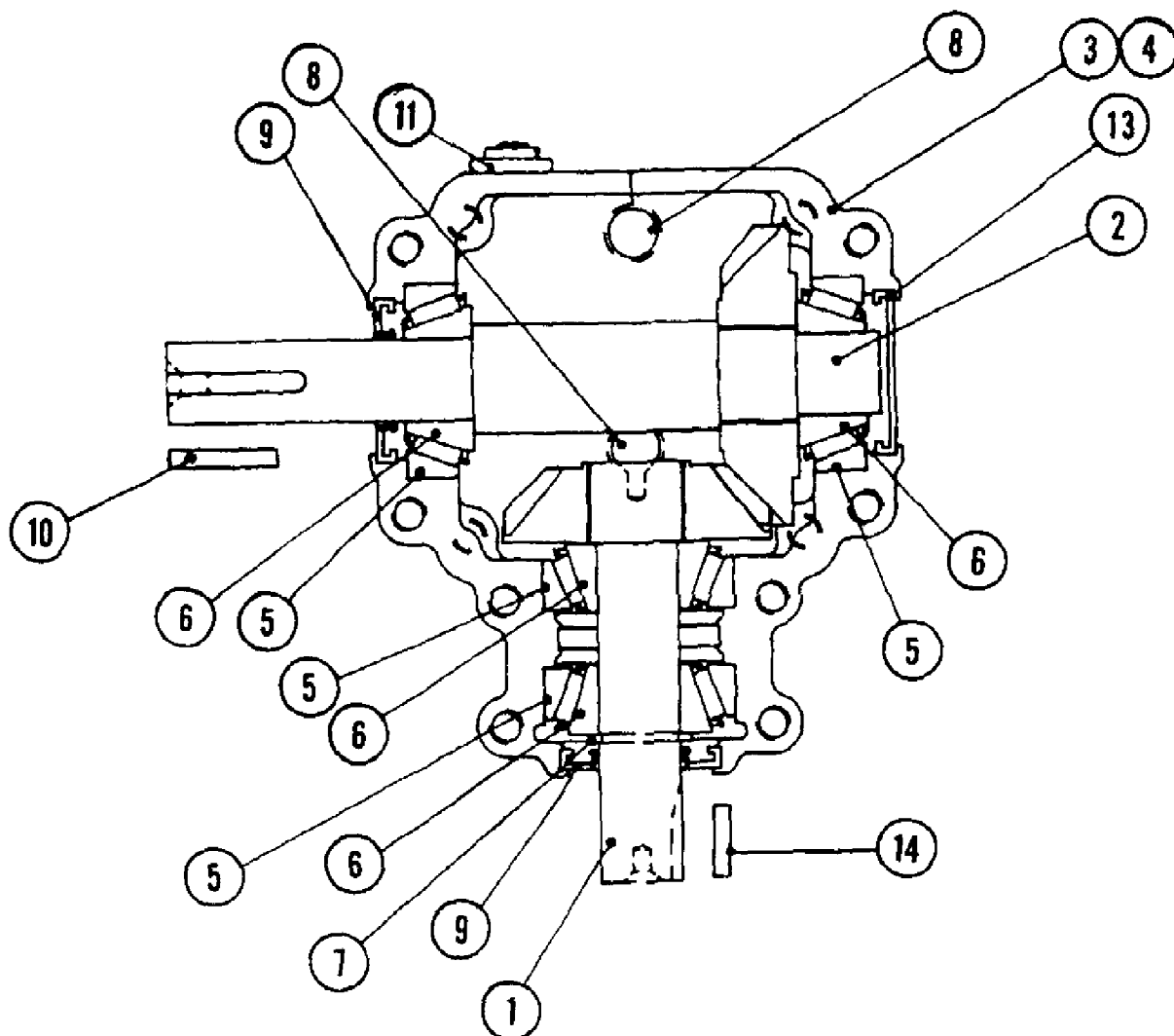
Ref #	Part Number	Qty	S/P/F	Description
1	WD-P195906840	1		KIT - gasket, complete
2	WD-P111147390	1		GASKET - head
3	WD-C43615	1		GASKET - cover
4	WD-C43616	1		GASKET - cover
5	WD-C43988	1		GASKET - exhaust
6	WD-C43606	1		"O" RING - cap
7	WD-P130996070	1		GASKET - fuel pump
8	WD-C43600	1		GASKET - thermostat
9	WD-P120406080	3		SEAL - valve stem
10	WD-P314990013	1		GASKET (Not used)
11	WD-C43619	1		GASKET - water pump
12	WD-C43617	1		GASKET - water pump
13	WD-C43614	1		GASKET - sump, oil
14	WD-C43612	1		GASKET - case
15	WD-C43613	1		GASKET - plate
16	WD-P130996070	1		GASKET - fuel pump
17	WD-P165996420	1		GASKET - plate
18	WD-C43999	2		"O" RING - oil tube
19	WD-P052109076	1		"O" RING - oil pipe
20	WD-P198636090	1		SEAL - case
21	WD-P198636080	1		SEAL - plate, rear
22	WD-P131426200	3		GASKET - atomizer



135-028-190 FR-1800D (1995)
Gear Box - Mower (Curtis)

Page 57 of 97

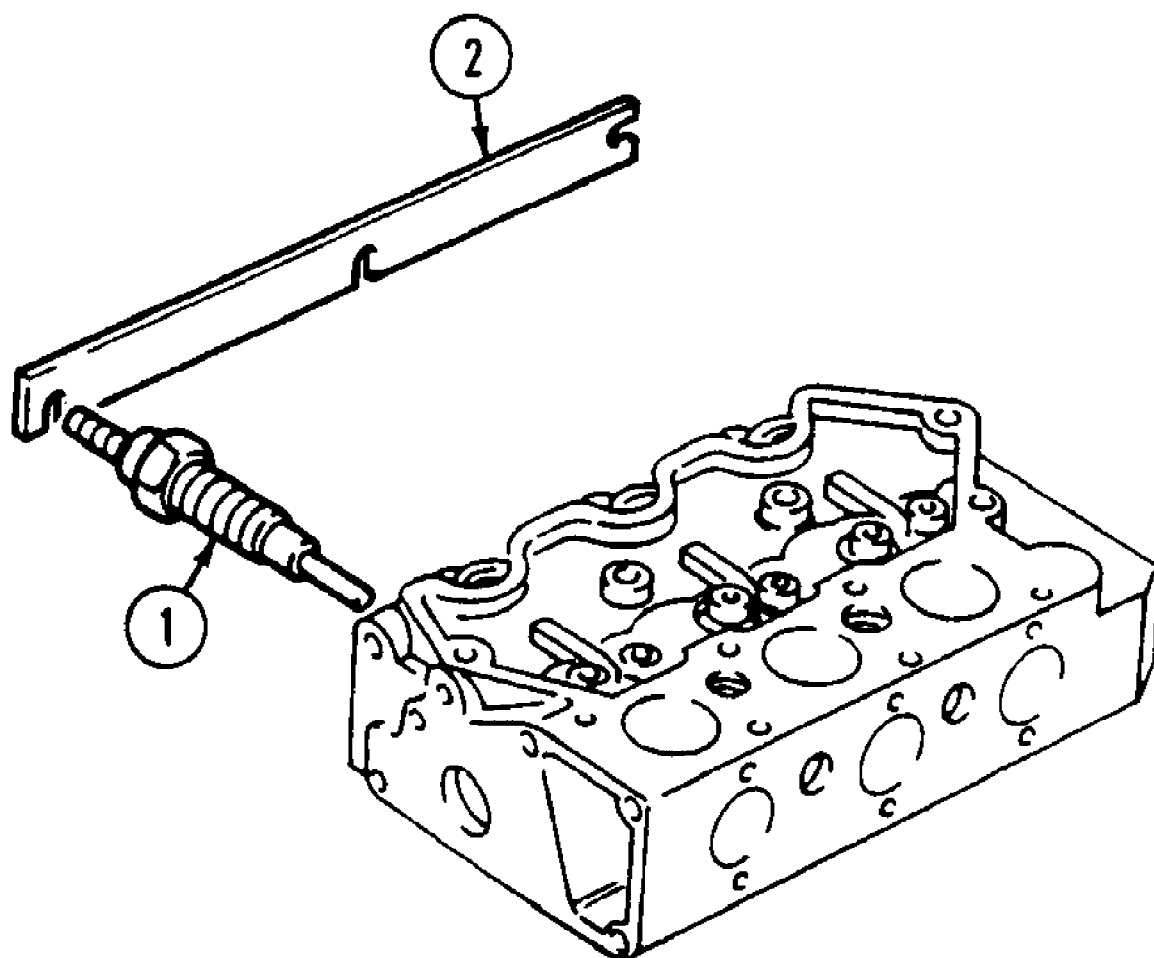
Ref #	Part Number	Qty	S/P/F	Description
	WD-C37898	1	S	GEAR BOX
1	WD-C37959	2		HOUSING - half
2	WD-C29581	2		KEY - 3/16" x 3/16" x 1"
3	WD-C37960	1		SHAFT - input
4	WD-C37961	1	S	BEARING - ball
5	WD-C37962	1		BUSHING - pipe 1/4" x 118"
6	WD-C37963	2		RING - retaining
7	WD-C37964	1		GEAR - output shaft
8	WD-C37965	1	/P	SHAFT - output
9	WD-C37966	3	/P	BEARING - ball
10	WD-C37967	6		LOCKWASHER
11	WD-C37968	6		CAP SCREW - allen head
12	WD-C37974	1	/P	FITTING - grease 1/4" NPT
13	WD-C37969	2	/P	SEAL shaft
14	WD-C37970	1		GEAR - input shaft
15	WD-C37971	1	/P	PLUG - expansion
16	WD-C37541	1		ELBOW - street 1/8" x 90°.
17	WD-C37973	1	/P	VALVE - relief
	WD-C37975	1		GREASE - synthetic, cartridge



135-028-190 FR-1800D (1995)
Gear Box - Mower (Superior)

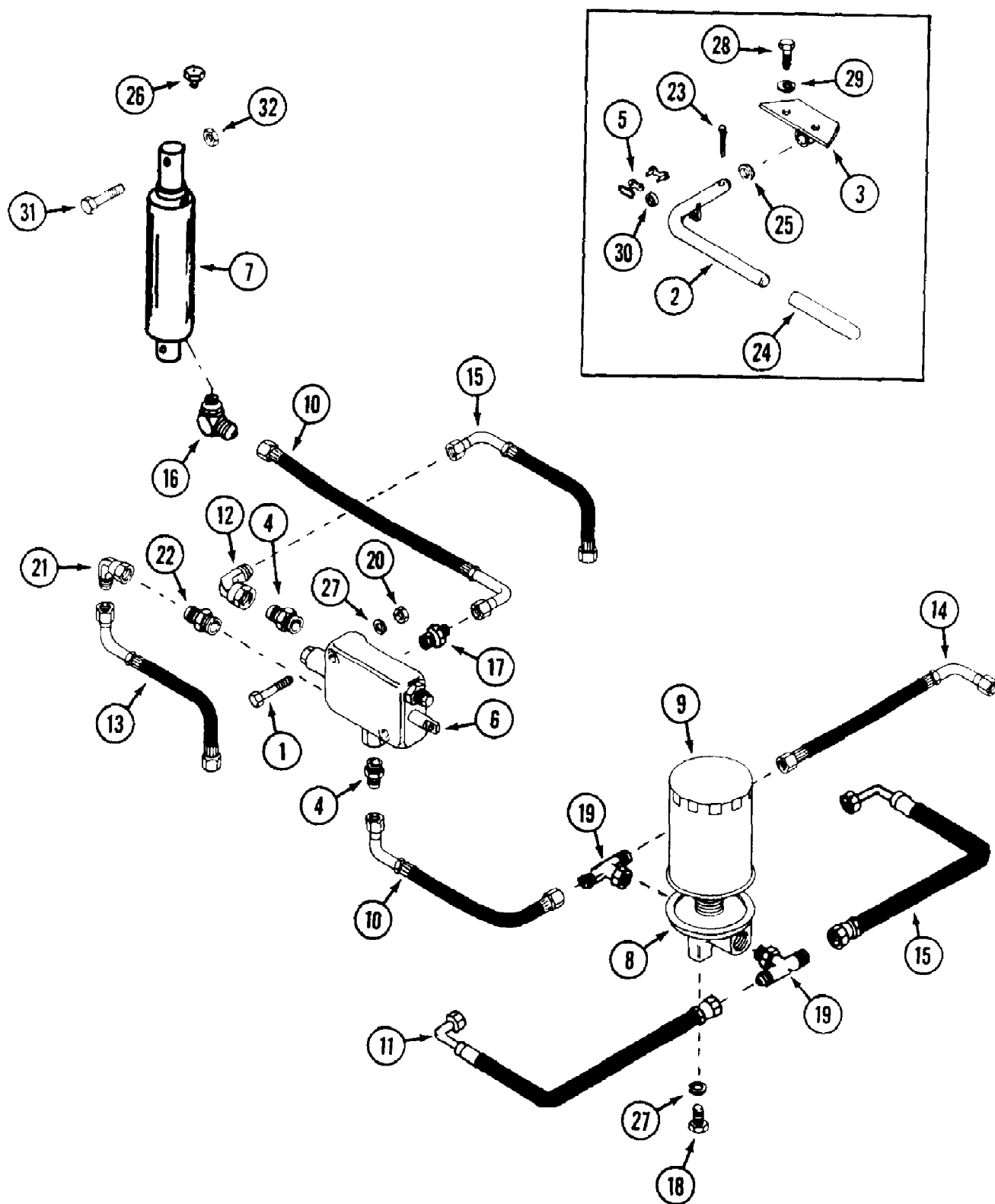
Page 59 of 97

Ref #	Part Number	Qty	S/P/F	Description
1	WD-C42924	1		SHAFT - pinion, with gear
2	WD-C42923	1		SHAFT - cross, with gear
3	WD-C42917	1		HOUSING - with tapped holes
4	WD-C42927	1		HOUSING - with thru holes (Not shown)
5	WD-C42918	4		CUP - bearing
6	WD-C42921	4		CONE - bearing
7	WD-C42919	1		RING - retaining
8	WD-C42920	3		PLUG - pipe 1/4"
9	WD-C42922	2		SEAL - shaft
10	WD-C29581	1		KEY - 3/16" x 1" input shaft
11	WD-C42928	1		PIPE - vent
?12	WD-C42926	8		BOLT - 5/16" x 1" socket head (Not shown)
13	WD-C42925	1		CAP - end
14	WD-C28215	1		KEY - 3/16" x 5/8" output shaft



135-028-190 FR-1800D (1995)
Glow Plugs

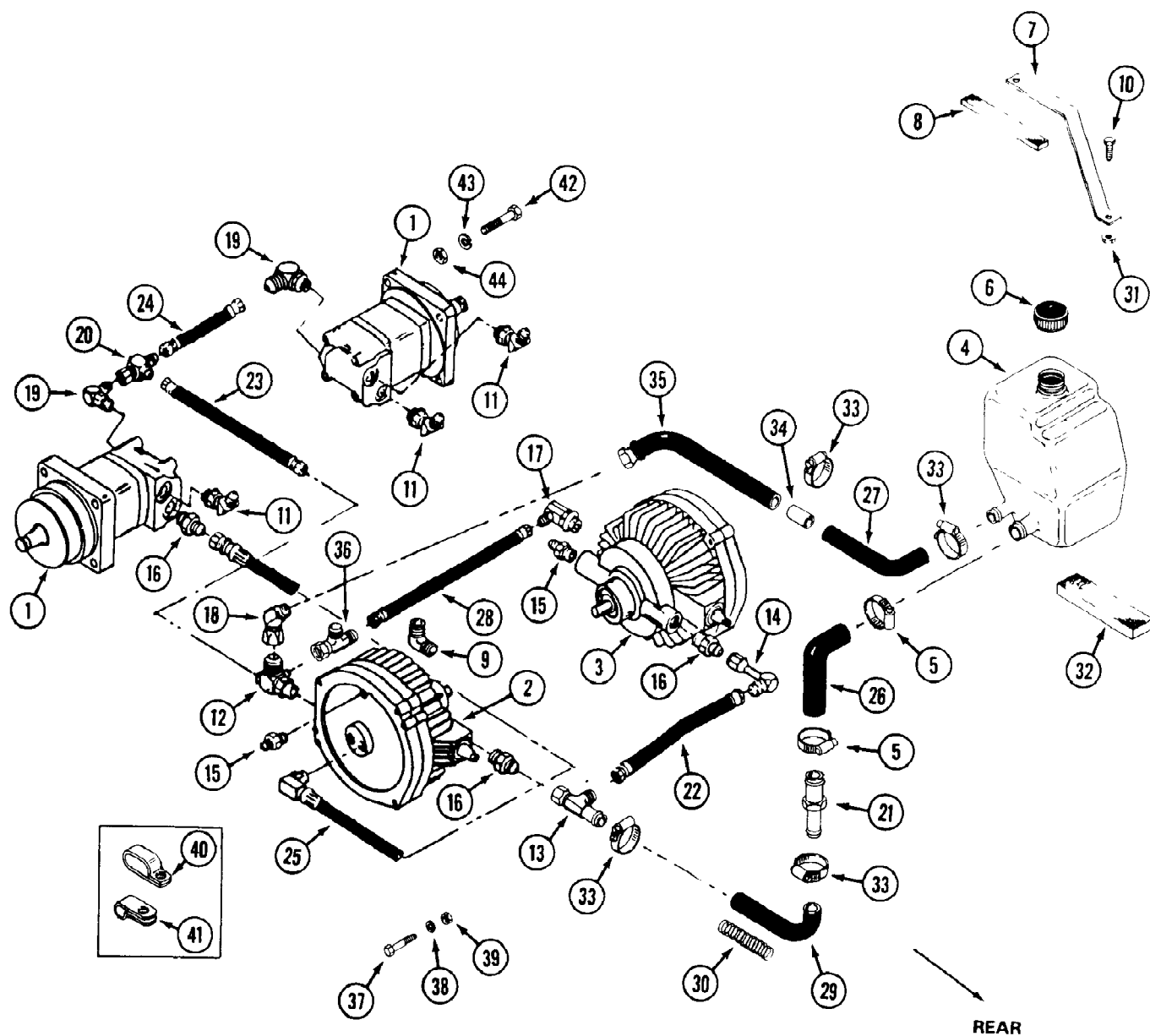
Ref #	Part Number	Qty	S/P/F	Description
1	WD-C43603	3		HEATER - glow plugs
2	WD-P185376170	1		BAR



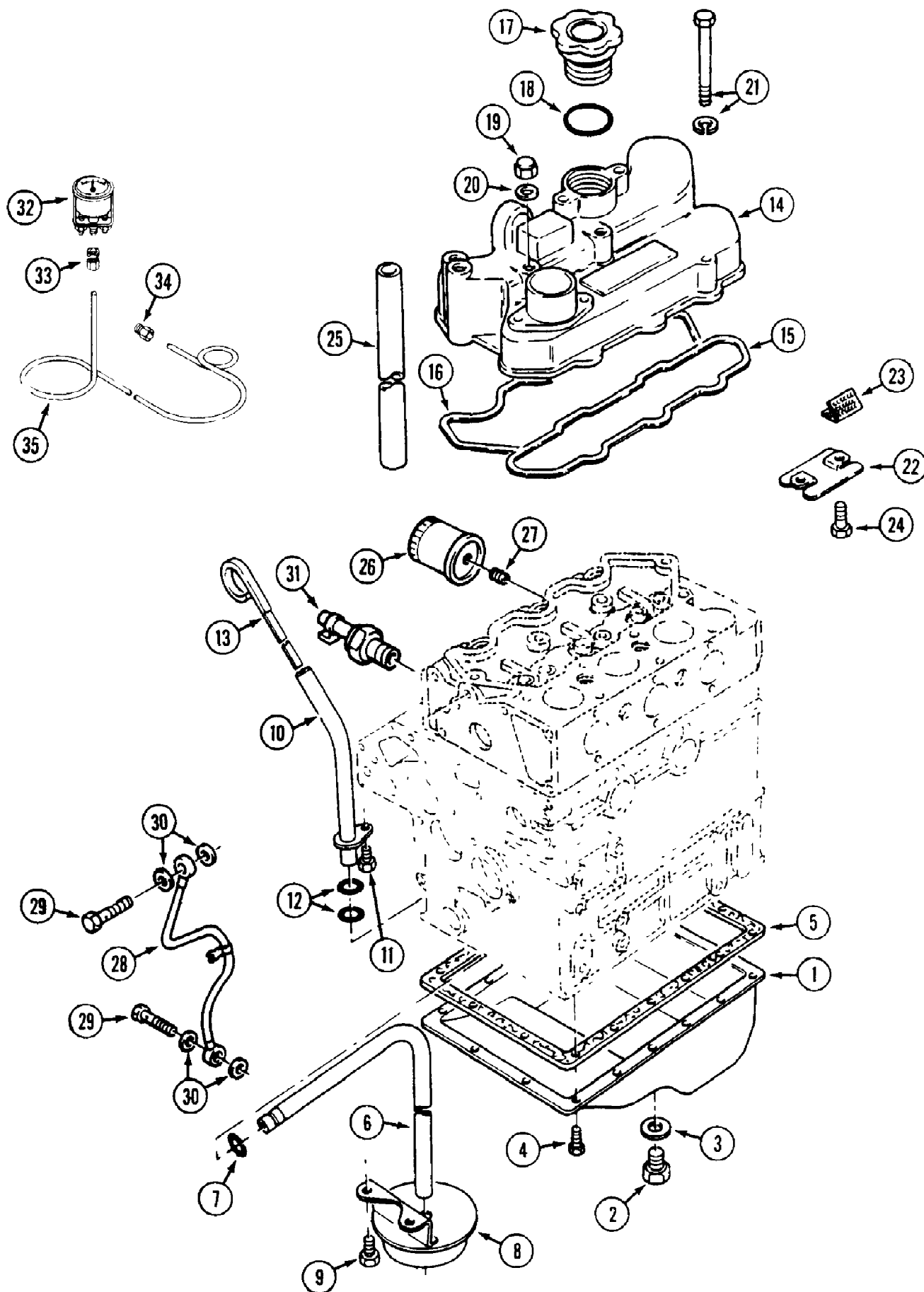
135-028-190 FR-1800D (1995)
Hydraulic Lift Assembly

Page 63 of 97

Ref #	Part Number	Qty	S/P/F	Description
1	WD-113-14	2		BOLT - 1/4" - 20 x 2"
2	WD-C45341	1		LEVER - actuator
3	WD-C45343	1		PIVOT - lever
4	WD-218-5058	2		FITTING - 9/16" x 3/4"
5	WD-C37791	1		CONNECTING LINK - #50
6	WD-C42937	1		VALVE - lift
7	WD-C44030	1		CYLINDER - lift
8	WD-C37636	1	/P	HOUSING - oil filter
9	WD-C37637	1	/P	ELEMENT - oil filter
10	WD-C37794	2	/P	HOSE - 3/8" ID x 26" long
11	WD-C37795	1		HOSE - 3/8" ID x 31" long
12	WD-218-980	1		FITTING - 90° 9/16"
13	WD-C45292	1		HOSE - 90°, 3/4" x 19"
14	WD-C45287	1		HOSE - 3/8" ID x 11.5" long
15	WD-C37799	1		HOSE - 3/8" ID x 21" long
16	WD-218-5278	2		FITTING - 90° male tube adp.
17	WD-218-5057	3		FITTING - straight
18	WD-113-2	2		BOLT - 1/4" - 20 x 5/8"
19	WD-218-5182	1		FITTING - tee
20	WD-129-101	2		NUT - 1/4" - 20
21	WD-218-5230	1		FITTING - 90°, 3/4"
22	WD-218-5059	1		FITTING - straight
23	WD-132-310	1		PIN - cotter 1/8" x 1"
24	WD-C26020	1		GRIP - handle
25	WD-C37787	1		GROMMET - lever
26		1		UNKNOWN
27	WD-192-19	4		LOCKWASHER - 1/4"
28	WD-113-101	2		BOLT - 5/16" - 18 x 1/2"
29	WD-192-20	2		LOCKWASHER - 5/16"
30	WD-C42895	2	/P	BUSHING
31	WD-113-422	1		BOLT - 1/2" - 13 x 2-1/2"
32	WD-131-70	1	S	NUT - 1/2" - 13 lock



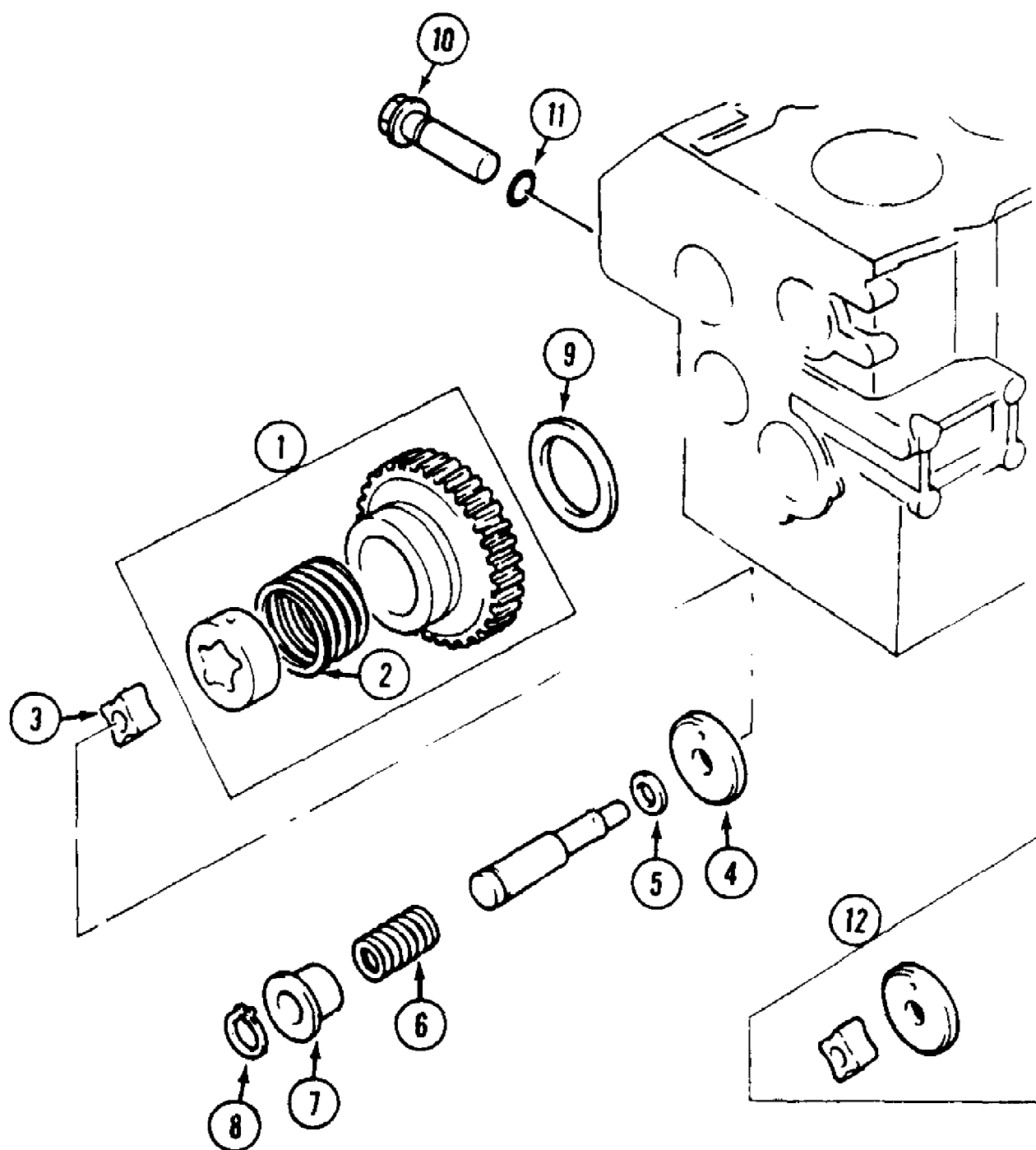
Ref #	Part Number	Qty	S/P/F	Description
1	WD-C37667	2		WHEEL MOTOR
2	WD-C44376	1		PUMP - L.H. CW (Eaton No. 1120-016)
3	WD-C44375	1		PUMP - R.H. CCW (Eaton No. 1120-017)
4	WD-C37228	1		TANK - hydraulic oil
5	WD-214-255	2		HOSE CLAMP - #16 (for 1" hose)
6	WD-C37093	1		CAP ASSEMBLY - tank
7	WD-C45317	1		BRACKET - hold down
8	WD-C34189	3		CUSHION - tank
9	WD-218-5105	1		FITTING - 90° 9/16"
10	WD-113-3	2		BOLT - 1/4" - 20 x 3/4"
11	WD-218-5146	3		FITTING - male tube, 45° male o-ring adapter
12	WD-C37678	1		FITTING - special cross
13	WD-C45284	1		FITTING - tee
14	WD-C37680	1		FITTING - male tube, 90° female swivel adapter
15	WD-218-5057	4		FITTING - male tube, male o-ring adapter
16	WD-218-5060	3		FITTING - male tube, male o-ring adapter
17	WD-218-5121	1		FITTING - male tube, 90° male o-ring adapter
18	WD-218-5175	1		FITTING - male tube, 45° female swivel adapter
19	WD-218-5103	2		FITTING - male tube, 90° male o-ring adapter
20	WD-218-5478	1		FITTING - male tube, female swivel tee
21	WD-C45283	1		CONNECTOR - 3/4" x 1"
22	WD-C45290	1		HOSE - 3/4" x 18" long
23	WD-C45295	1		HOSE - 1/4" ID x 14" long, easy couple
24	WD-C45293	1		HOSE - 7/16" x 18" long
25	WD-C44465	2		HOSE - 1/2" ID x 36-1/2" long (L.H. pump)
25	WD-C45286	2		HOSE - 1/2" ID x 26-1/2" long (R.H. pump)
26	WD-C33551	1		HOSE - suction 90° x 1"
27	WD-C43372	1		HOSE - 90° x 3/4"
28	WD-C37693	1		HOSE - 1/2" ID x 20" long, easy couple
29	WD-C44286	1		HOSE - 3/4" x 9"
30	WD-C15564	1		SPRING - hose liner
31	WD-131-934	2		NUT - 1/4" - 20 flange lock
32	WD-C44584	3		FOAM - cushion
33	WD-214-254	5	S	CLAMP - hose #12 (for 3/4" hose)
34	WD-C43377	1		TUBE - connector 3/4" x 1-1/2"
35	WD-C45289	1		HOSE - 3/4" x 14-1/4"
36	WD-218-845	1		FITTING - tee 3/4"
37	WD-113-257	1		BOLT - 3/8" - 16 x 2-1/2"
38	WD-192-21	8	S	LOCKWASHER - 3/8"
39	WD-129-103	8	S	NUT - 3/8" - 16
40	WD-C33213	2		CLAMP - double tube
41	WD-C33218	1		CLAMP - single tube
42	WD-113-421	8		BOLT - 1/2" - 13 x 2"
43	WD-192-23	8		LOCKWASHER - 1/2"
44	WD-129-105	8	S	NUT - 1/2" - 13



135-028-190 FR-1800D (1995)
Lubrication Components

Page 67 of 97

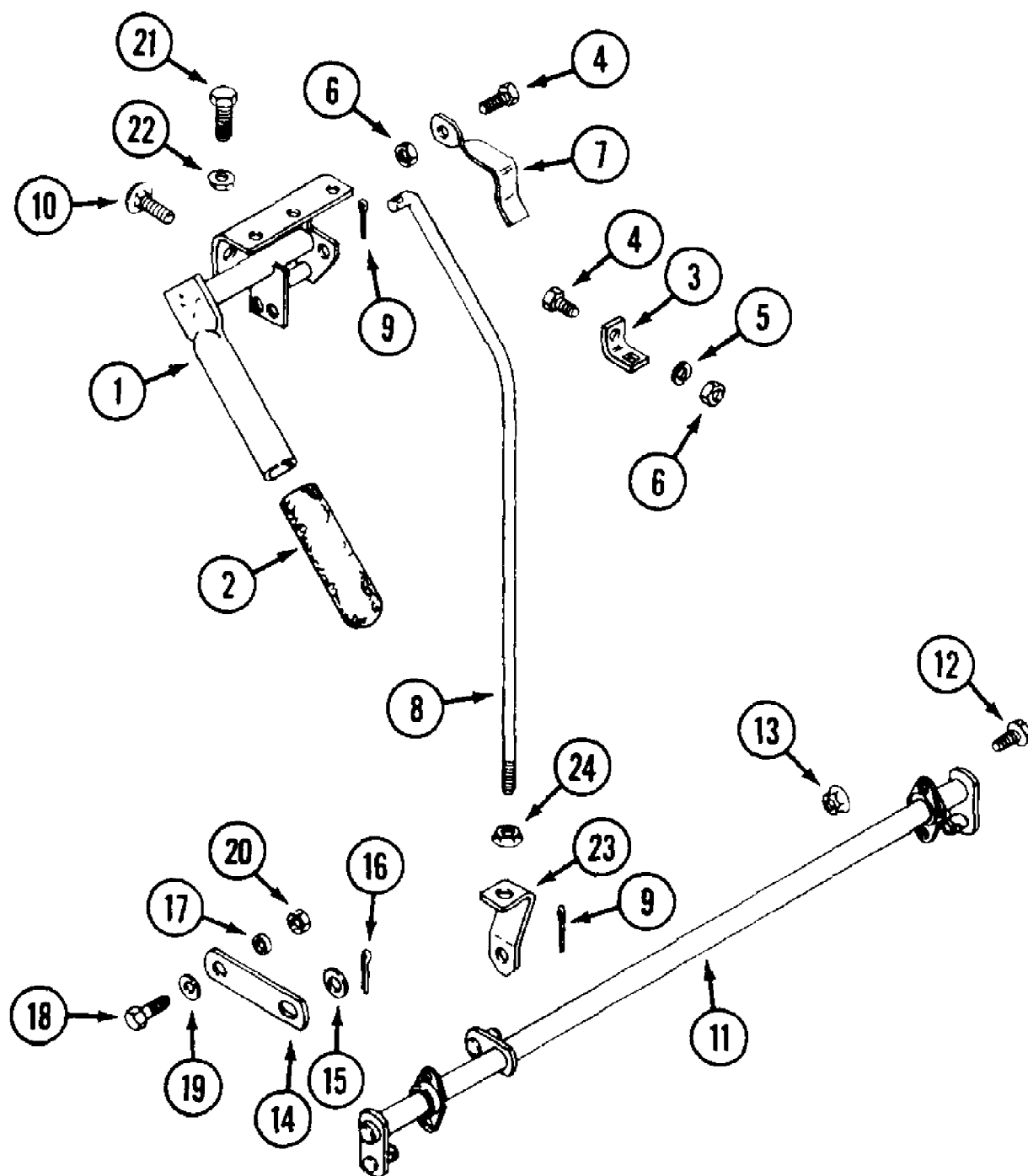
Ref #	Part Number	Qty	S/P/F	Description
1	WD-P110706860	1		SUMP
2	WD-C43607	1		PLUG
3	WD-C43608	1		WASHER
4	WD-P010109235	18		SCREW
5	WD-C43614	1		GASKET
6	WD-P140986590	1		PIPE
7	WD-P052109076	1		"O" RING
8	WD-P140406310	1		STRAINER
9	WD-P011300612	2		BOLT
10	WD-C43997	1		TUBE
11	WD-P011300612	1		BOLT
12	WD-C43999	1		"O" RING
13	WD-C43207	1		DIPSTICK
14	WD-P111026371	1		COVER
15	WD-C43615	1		GASKET
16	WD-C43616	1		GASKET
17	WD-C43605	1		CAP
18	WD-C43606	1		"O" RING
19	WD-P024500008	3		NUT
20	WD-P198996060	3		WASHER
21	WD-P011300650	2		SCREW
22	WD-P110666110	1		PLATE
23	WD-P110666120	1		GAUZE
24	WD-P011300612	2		BOLT
25	WD-P068122560	1		HOSE
26	WD-C43443	1		FILTER - oil
27	WD-P140546020	1		CONNECTOR
28	WD-P140606680	1		PIPE
29	WD-P198486780	1		BOLT
30	WD-P198996060	4		WASHER
31	WD-C43601	1		SWITCH - oil pressure
32	WD-C38122	1		GAGE - pressure, oil
33	WD-C45606	1		FITTING - 1/8" tube
34	WD-222-681	1		FITTING - 1/8" x 1/8"
35	WD-C45544	1		TUBE - 1/8" x 58" copper



135-028-190 FR-1800D (1995)
Oil Pump

Page 69 of 97

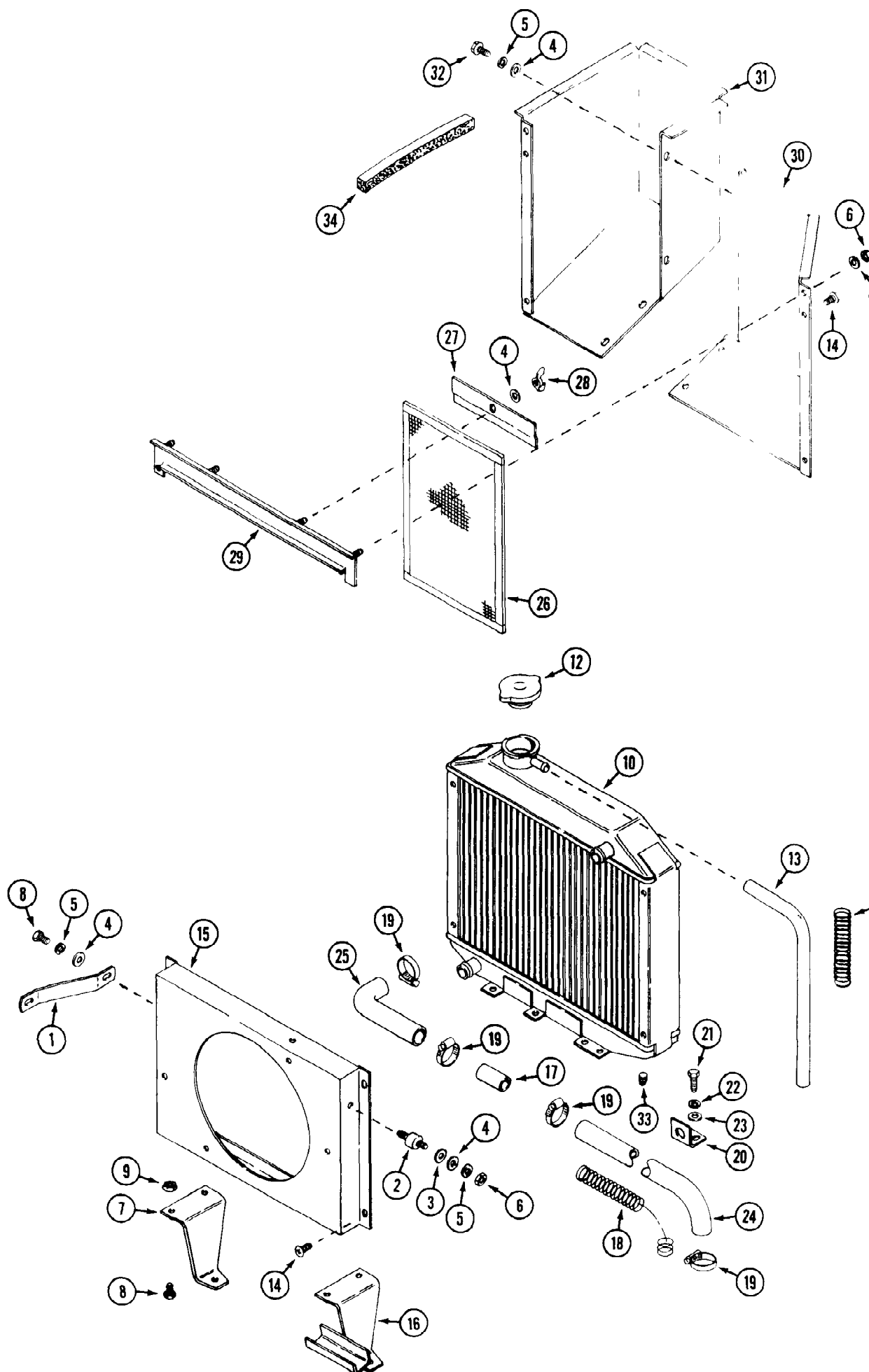
Ref #	Part Number	Qty	S/P/F	Description
1	WD-P165026110	1		GEAR ASSEMBLY
2	WD-P198216821	1		SPRING
3	WD-P140166130	1		ROTOR
4	WD-P140116140	1		COVER
5	WD-P199286150	UAR		SHIM - 0.10mm
	WD-P199286160	UAR		SHIM - 0.15mm
	WD-P199286170	UAR		SHIM - 0.20mm
	WD-P199286180	UAR		SHIM - 0.50mm
6	WD-P198216720	1		SPRING
7	WD-P199236540	1		COLLAR
8	WD-P036800010	1		CIRCLIP
9	WD-P199266180	1		WASHER
10	WD-P140036120	1		VALVE
11	WD-P052100150	1		"O" RING
12	WD-P140186010	1		KIT - repair



135-028-190 FR-1800D (1995)
Parking Brake

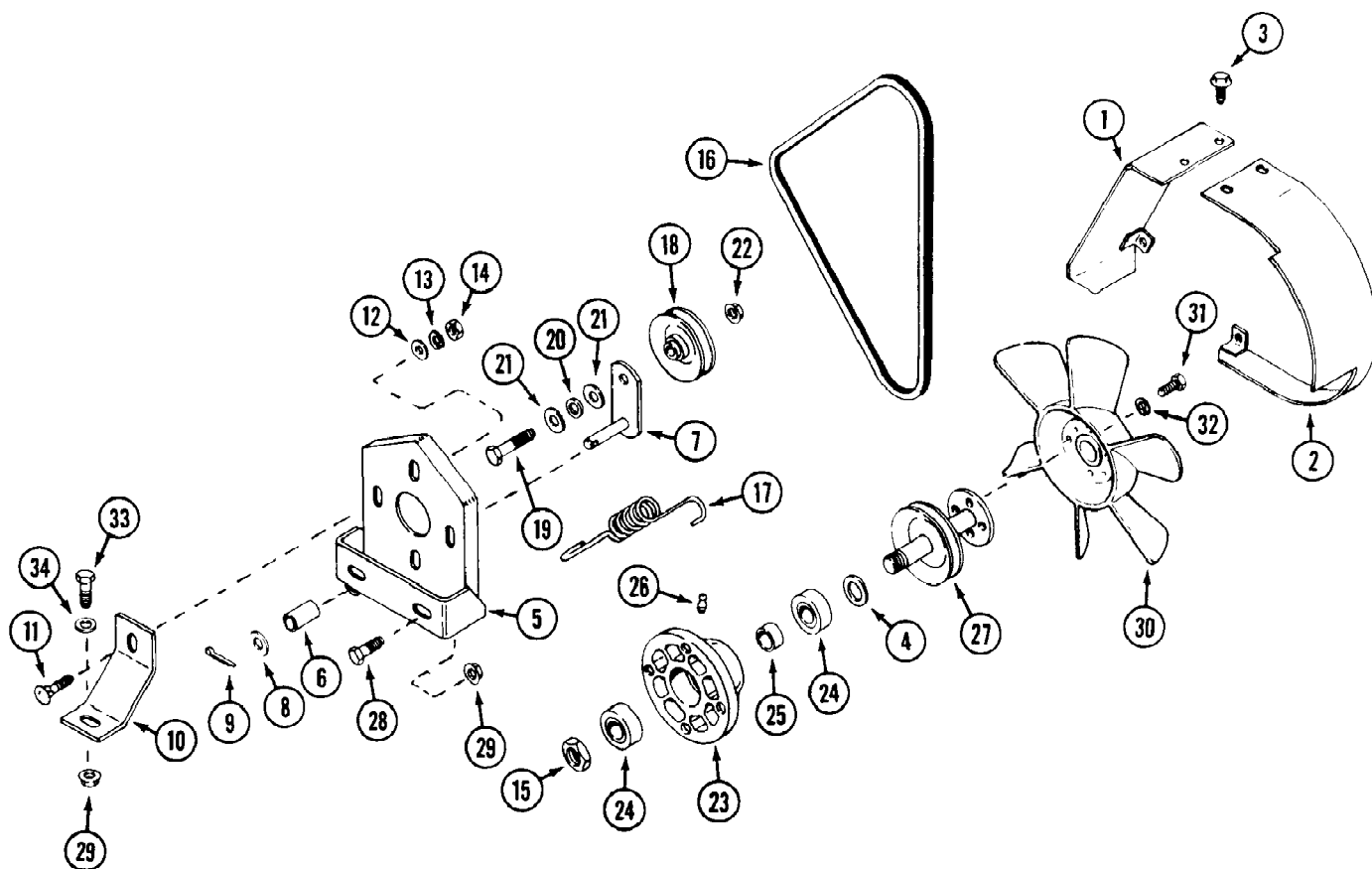
Page 71 of 97

Ref #	Part Number	Qty	S/P/F	Description
1	WD-C45370	1		LEVER - brake
2	WD-C37631	1	/P	GRIP - handle
3	WD-C45387	1		STOP - lever
4	WD-113-3	2		BOLT - 1/4" - 20 x 3/4"
5	WD-192-19	2		LOCKWASHER - 1 /4"
6	WD-129-101	3		NUT - 1/4" - 20
7	WD-C45432	1		ARM - actuator
8	WD-C45375	1		ROD - brake
9	WD-132-310	2		PIN - cotter 1/8" x 1"
10	WD-111-111	1		BOLT - 1/4" - 20 x 1" carriage
11	WD-C45324	1		SHAFT - cross
12	WD-187-1036	4		BOLT - 1 /4" - 20 x 1/2" flange
13	WD-131-934	4		NUT - 1/4" - 20 flange lock
14	WD-C45503	2		BAR - brake link
15	WD-195-525	2		WASHER - .40" x .81"
16	WD-132-321	2		PIN - cotter 1/8" - 1"
17	WD-C42896	2		BUSHING
18	WD-113-4	2		BOLT - 1/4" - 20 x 1"
19	WD-195-102	2		WASHER - .31" x .75"
20	WD-131-71	2		NUT - 1/4" - 20 lock
21	WD-113-118	1		BOLT - 5/16" - 18 x 5/8"
22	WD-131-911	1	S	NUT - 5/16" - 18 flange lock
23	WD-C45501	1		CLEVIS - brake
24	WD-131-938	1		NUT - 3/8" - 18 flange lock



Ref #	Part Number	Qty	S/P/F	Description
1	WD-C45310	1		STRAP - radiator mount
2	WD-C43012	3		MOUNT - rubber
3	WD-C37704	1		WASHER - .33" x .69"
4	WD-195-518	7		WASHER - 1/4"
5	WD-192-19	9		LOCKWASHER - 1/4"
6	WD-129-101	5		NUT - 1/4"
7	WD-C45206	1		BRACKET - radiator - support, rear
8	WD-113-1	4		BOLT - 1/4" - 20 x 1/2"
9	WD-131-934	4		NUT - 1/4" - 20 flange lock
10	WD-C43211	1		RADIATOR
?11	WD-C45633	1		SPRING - hose liner
12	WD-C43009	1		CAP - radiator
13	WD-C43011	1		HOSE - overflow
14	WD-C33576	5		SCREW - 1/4" - 20 x 5/16"
15	WD-C45308	1		SHROUD - fan
16	WD-C45464	1		BRACKET - radiator support, front
17	WD-C43367	2		TUBE .88" x 2"
18	WD-C44567	2		SPRING - hose liner
19	WD-214-255	9		CLAMP - hose #16
	WD-214-256	2		CLAMP - hose #20
20	WD-C45311	1		BRACKET - hose support, upper
	WD-C44604	1		BRACKET - hose support, lower
21	WD-814-8016	3		BOLT - M8 - 1.25 x 16
22	WD-192-20	3		LOCKWASHER - 5/16"
23	WD-195-102	2		WASHER - .312" x .75"
24	WD-C43368	1		HOSE - .88" x 13.5" top engine
	WD-C43369	1		HOSE - .88 x 32" lower engine
25	WD-C33551	2		HOSE 90°.
26	WD-C45447	2		SCREEN - radiator
27	WD-C45450	2		BRACKET - screen mounting
28	WD-129-409	2		NUT - wing 1/4" - 20
29	WD-C45451	1		RAIL - upper, screen mounting
30	WD-C45453	1		DUCT - air, front
31	WD-C45457	1		DUCT - air, rear
32	WD-187-1036	4		SCREW - 1/4" - 20 x 1/2" flange
33	WD-C43010	1		PLUG - drain (Included with radiator)
34	WD-C42772	1		SEAL - air intake 13.2"

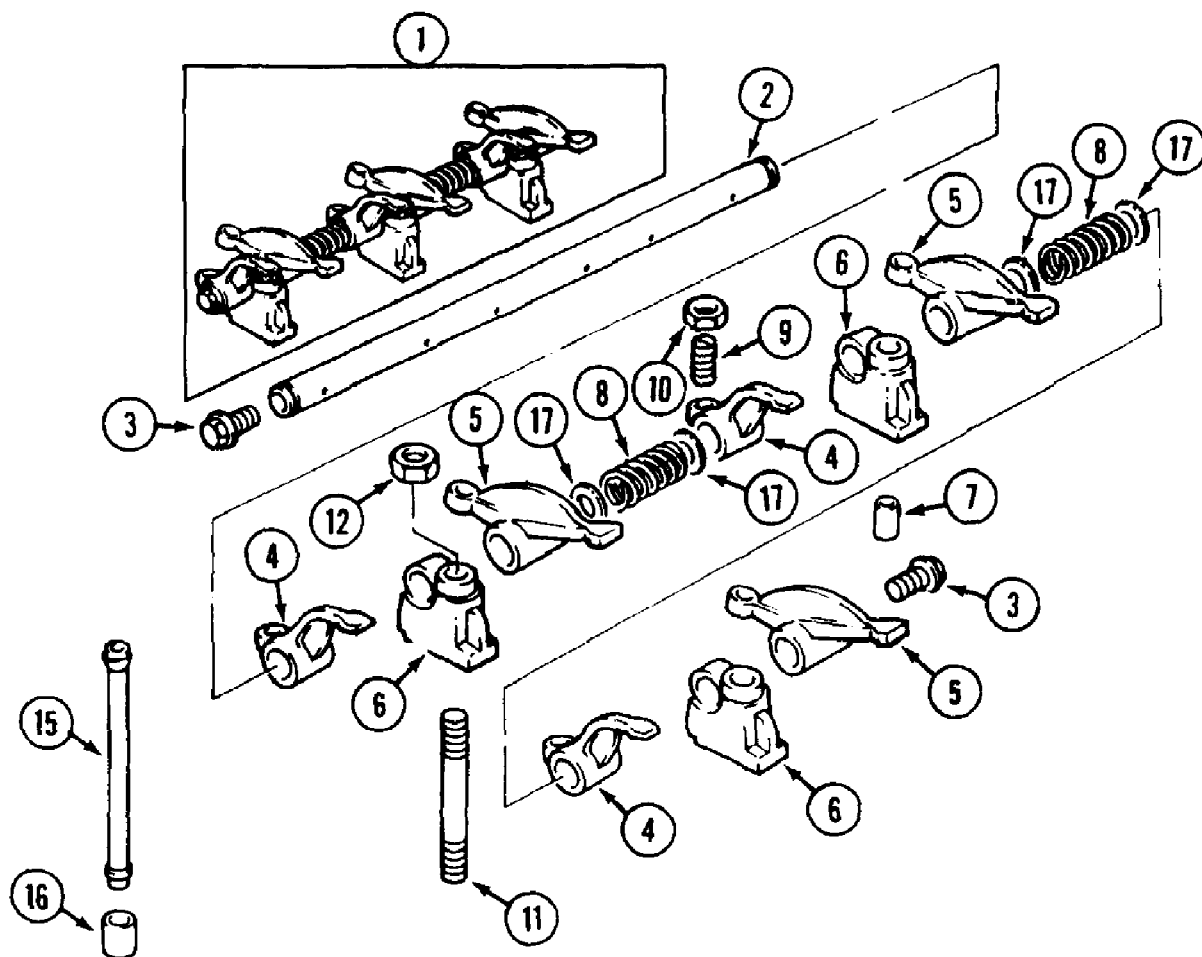
135-028-190 FR-1800D (1995)
Radiator Fan Assembly



135-028-190 FR-1800D (1995)
Radiator Fan Assembly

Page 75 of 97

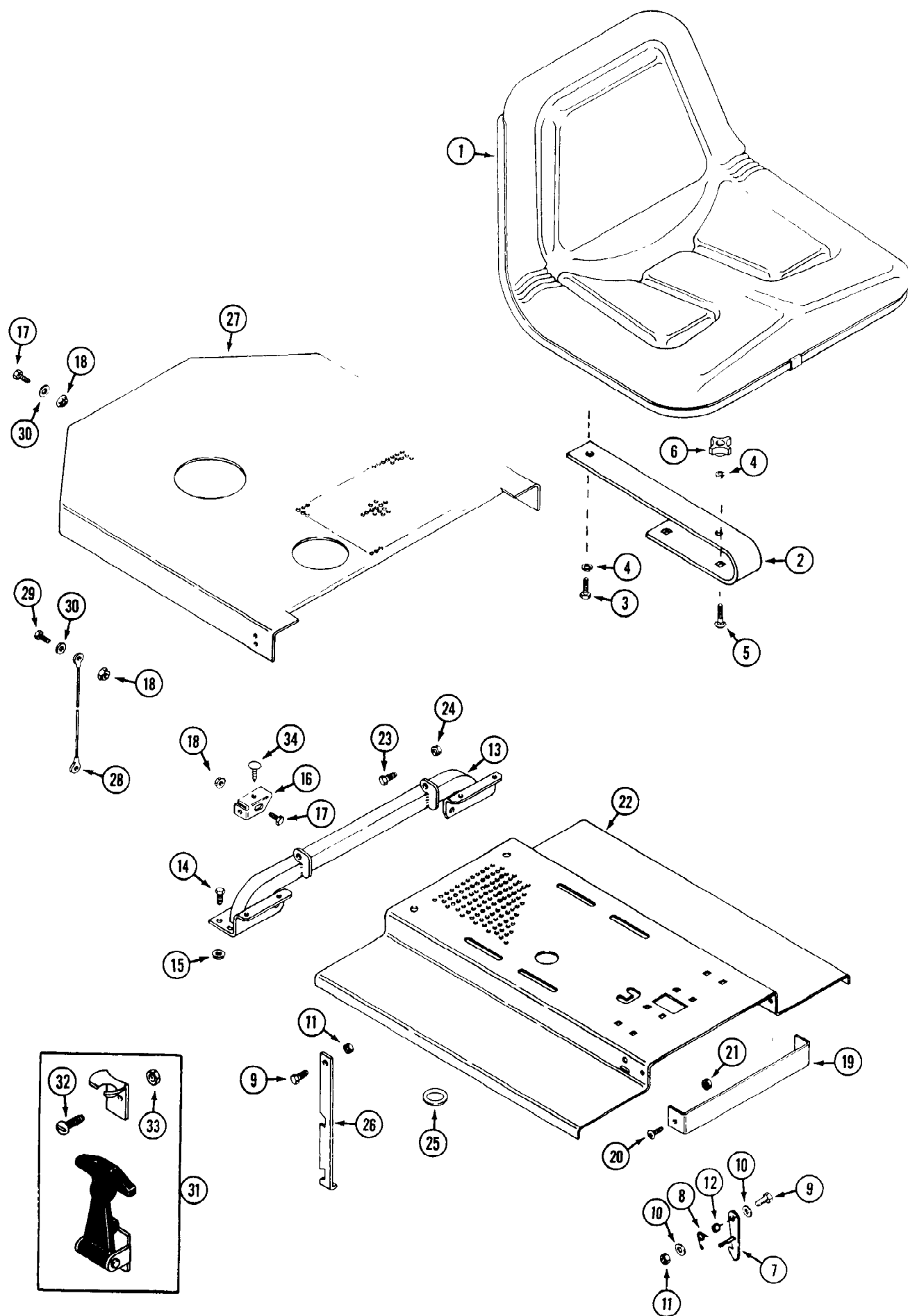
Ref #	Part Number	Qty	S/P/F	Description
1	WD-C45436	1		COWLING - fan, rear
2	WD-C45439	1		COWLING - fan, front
3	187-1036	6		SCREW - 1/4" - 20 x 1/2" flange
4	WD-C12975	1		WASHER - 3/4" - 1-1/8"
5	WD-C45419	1		BRACKET - fan mounting
6	WD-C16714	1		BUSHING - 1/2"
7	WD-C45230	1		ARM - idler
8	WD-195-2067	1		WASHER - 1/2" x 7/8"
9	WD-132-320	1		PIN - cotter 3/32" x 3/4"
10	WD-C45205	2		BRACE - fan mount
11	WD-111-256	4		BOLT - 5/16" - 18 x 1-1/4" carriage
12	WD-195-521	4		WASHER - .344" x .688"
13	WD-192-20	4		LOCKWASHER - 5/16"
14	WD-129-102	4		NUT - 5/16" - 18
15	WD-131-1331	1		NUT - 3/4" - 16 lock
16	WD-C45412	1		BELT - 3L x 36"
17	WD-C45413	1		SPRING - tension
18	WD-C45338	1		PULLEY - idler
19	WD-113-233	1		BOLT - 3/8" - 16 x 1-3/4"
20	WD-C30155	1		WASHER - .39" x .625"
21	WD-195-525	2		WASHER - .40" x .81"
22	WD-131-1352	1		NUT - 3/8" - 16 flange lock
23	WD-C45414	1		HOUSING ASSEMBLY
24	WD-C28971	2		BEARING - ball 3/4"
25	WD-C43208	1		SPACER - bearing
26	WD-219-20	1		FITTING - 1/4" - 28 lubrication
27	WD-C45415	1		SPINDLE - fan mounting
28	WD-113-104	2		BOLT - 5/16" - 18 x 1-1/4"
29	WD-131-911	4	S	NUT - 5/16" - 18 flange lock
30	WD-C42984	1		FAN - 11"
31	WD-131-1	4		BOLT - 1/4" - 20 x 1/2"
32	WD-192-19	4		LOCKWASHER - 1/4"
33	WD-113-103	2		BOLT - 5/16" - 18 x 1"
34	WD-195-103	2		WASHER - .375" x .875"



135-028-190 FR-1800D (1995)
Rocker Shaft

Page 77 of 97

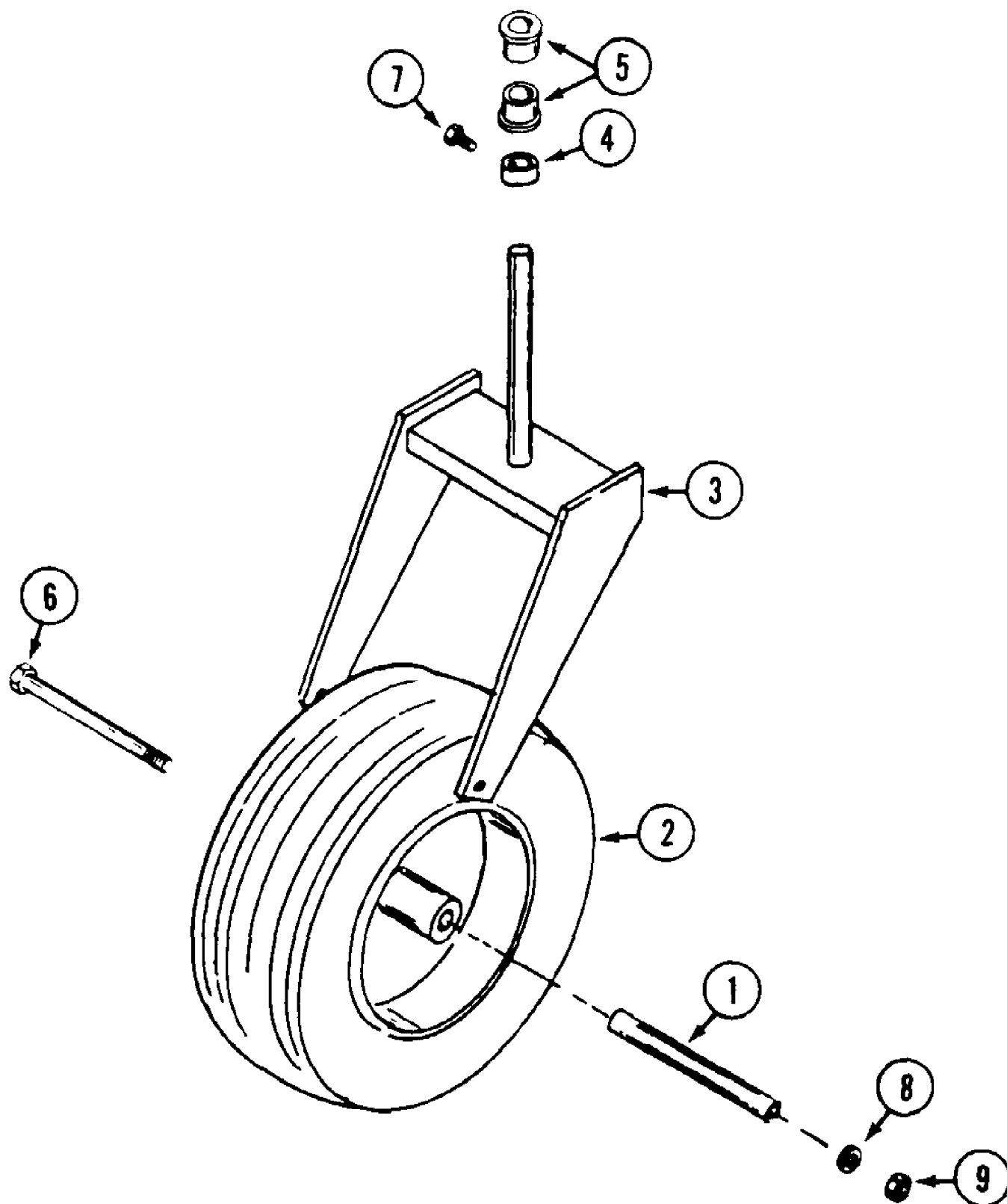
Ref #	Part Number	Qty	S/P/F	Description
1	WD-P120036330	1		SHAFT ASSEMBLY - rocker
2	WD-P120316190	1		SHAFT
3	WD-P064609006	2		PLUG
4	WD-P120356120	3		LEVER - L.H.
5	WD-P120356110	3		LEVER - R.H.
6	WD-P120346170	3		BRACKET
7	WD-P030300325	1		PIN
8	WD-P198217080	2		SPRING
9	WD-P199486220	6		SCREW - adjusting
10	WD-P020109076	6		NUT
11	WD-P012109177	3		STUD
12	WD-P023100008	3		NUT
15	WD-P120456240	6		ROD
16	WD-P120116100	6		TAPPET
17	WD-P199280280	4		WASHER Included with shaft assembly



135-028-190 FR-1800D (1995)
Seat, Lid And Rear Cover

Page 79 of 97

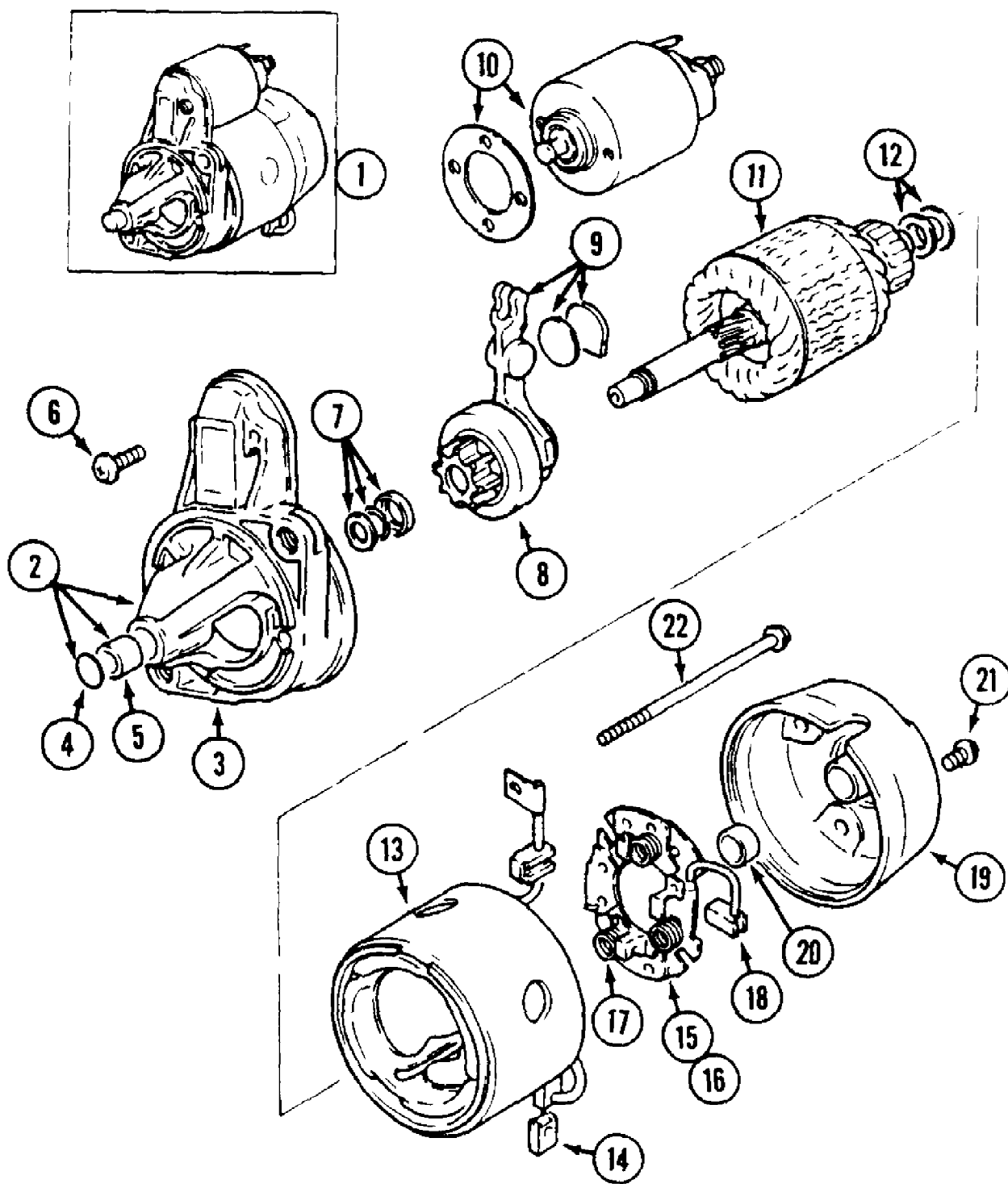
Ref #	Part Number	Qty	S/P/F	Description
1	WD-C43202	1		SEAT
2	WD-C43137	2		SPRING - seat
3	WD-113-102	4		BOLT - 5/16" - 18 x 3/4"
4	WD-192-20	8		LOCKWASHER - 5/16"
5	WD-111-204	4		BOLT - carriage 6/16" - 18 x 1-1/4"
6	WD-C43438	4		KNOB - seat adjust
7	WD-C44481	1		LATCH lid
8	WD-C37851	1		SPRING - latch
9	WD-113-4	2		BOLT - 1/4" - 20 x 1"
10	WD-195-102	2		WASHER - 1/4"
11	WD-131-71	2		NUT - 1/4" - 20 lock
12	WD-C44498	1		SPACER - latch
13	WD-C45318	1		TUBE - seat support
14	WD-113-118	4		BOLT - 5/16" - 18 x 5/8"
15	WD-131-911	4	S	NUT - 5/16" - 18 flange lock
16	WD-C45336	1		BRACKET - retainer R.H. (Shown)
	WD-C45337	1		BRACKET - retainer L.H.
17	WD-113-1	4		BOLT - 1/4" - 20 x 1/2"
18	WD-131-934	4		NUT - 1/4" - 20 flange lock
19	WD-C37826	1		PLATE - filler
20	WD-182-528	2		SCREW - #10 - 32 x 1/2"
21	WD-193-1000	2		NUT - #10 - 32 lock
22	WD-C45352	1		LID - seat
23	WD-113-103	2		BOLT - 5/16" - 18 x 1"
24	WD-131-69	2		NUT - lock
25	WD-C25165	1		GROMMET - 1" x 1-3/4"
26	WD-C45471	1		PROP - seat lid
27	WD-C45300	1		COVER - rear
28	WD-C45472	1		LANYARD
29	WD-113-3	1		BOLT - 1/4" - 20 x 3/4"
30	WD-195-518	3		WASHER - .281" x .625
31	WD-C43326	2		LATCH - "T" handle
32	WD-182-571	8		SCREW - #6 - 32 x 1/2"
33	WD-193-1003	8		NUT - #6 - 32 lock
34	WD-C35067	12		RETAINER - plastic



135-028-190 FR-1800D (1995)
Single Tail Wheel

Page 81 of 97

Ref #	Part Number	Qty	S/P/F	Description
1	WD-C37854	1		AXLE - wheel
2	WD-C37855	1	S	WHEEL ASSEMBLY - tail
	WD-C37856	2	S	BEARING - wheel
	WD-C37857	8		TIRE - 15 x 6.50 - 8
	WD-C37858	1	S	RIM - 8"
3	WD-C45297	1		FORK - tail wheel
4	WD-C37860	1		COLLAR - set 1"
5	WD-C37861	1		SPACER - tail wheel fork
6	WD-113-452	1		BOLT - 1/2" - 13 x 9-1/2"
7	WD-85-58	1		SCREW - set 5/16" - 18 x 1/2" square head
8	WD-192-23	1		LOCKWASHER - 1/2"
9	WD-129-105	1	S	NUT - 1/2" - 13
?10	WD-C37824	2	S	BEARING - ball 1"
	WD-219-20	1		FITTING - grease 1/4" - 28 (caster pivot)

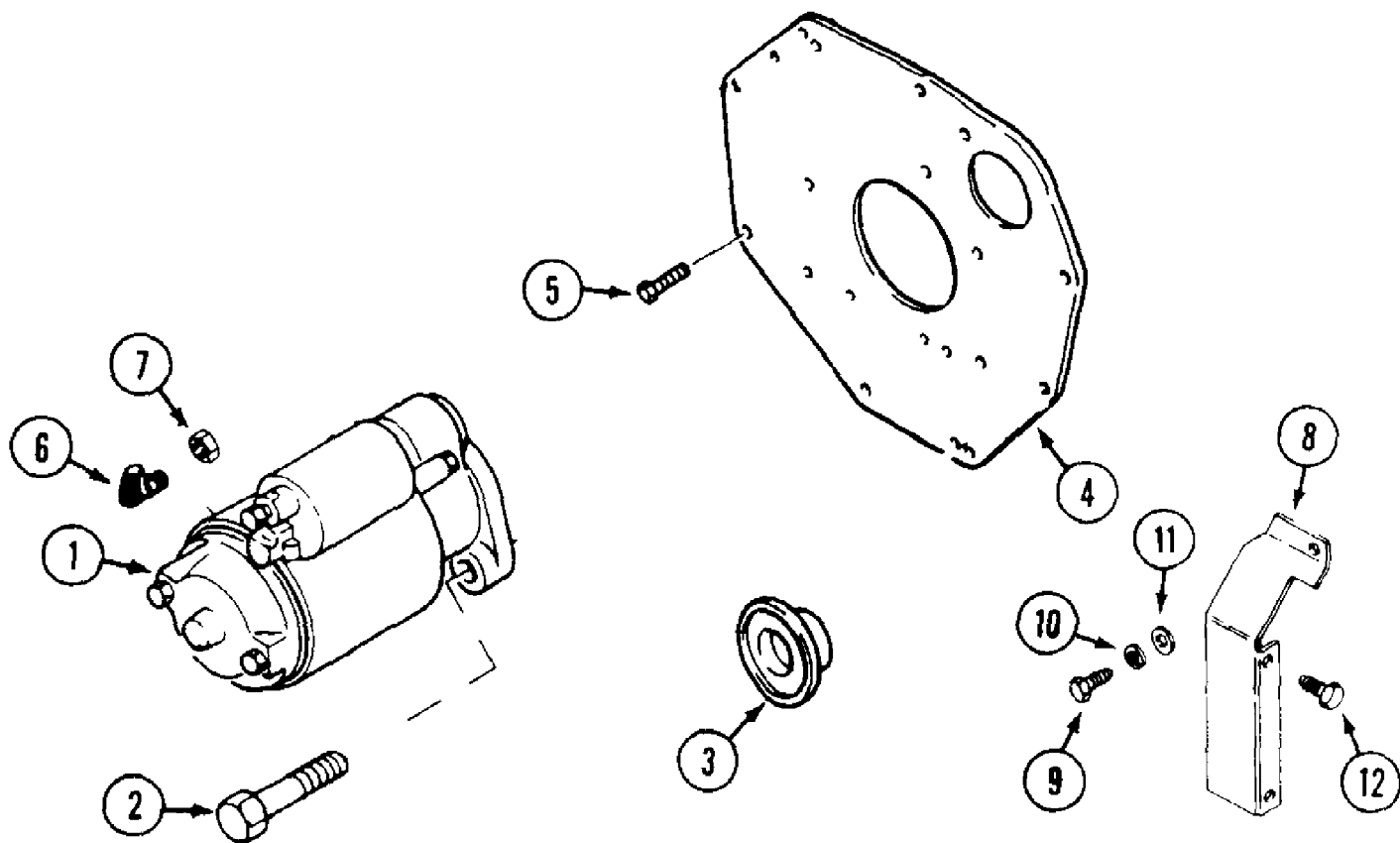


135-028-190 FR-1800D (1995)
Starter Assembly

Page 83 of 97

Ref #	Part Number	Qty	S/P/F	Description
1	WD-C43609	1		STARTER
2	WD-P185846471	1		COVER ASSEMBLY
3	~NSS	1		COVER
4	~NSS	1		RING
5	WD-P185846472	1		BUSHING
6	WD-P185846468	2		SCREW
7	WD-P185846473	1		WASHER
8	WD-P185866240	1		PINION
9	WD-P185846469	1		LEVER
10	WD-P185816220	1		SWITCH
11	WD-P185846474	1		ARMATURE
12	WD-P185846475	1		WASHER
13	WD-P185846476	1		YOKE
14	WD-P185416400	1		BRUSH
15	WD-P185416390	1		HOLDER ASSEMBLY
16	~NSS	1		HOLDER
17	WD-P185886010	1		SPRING
18	WD-P185416410	1		BRUSH
19	WD-P185846477	1		COVER
20	WD-P185846478	1		BUSHING
21	WD-P185846468	3		SCREW
22	WD-P185846470	2		SCREW

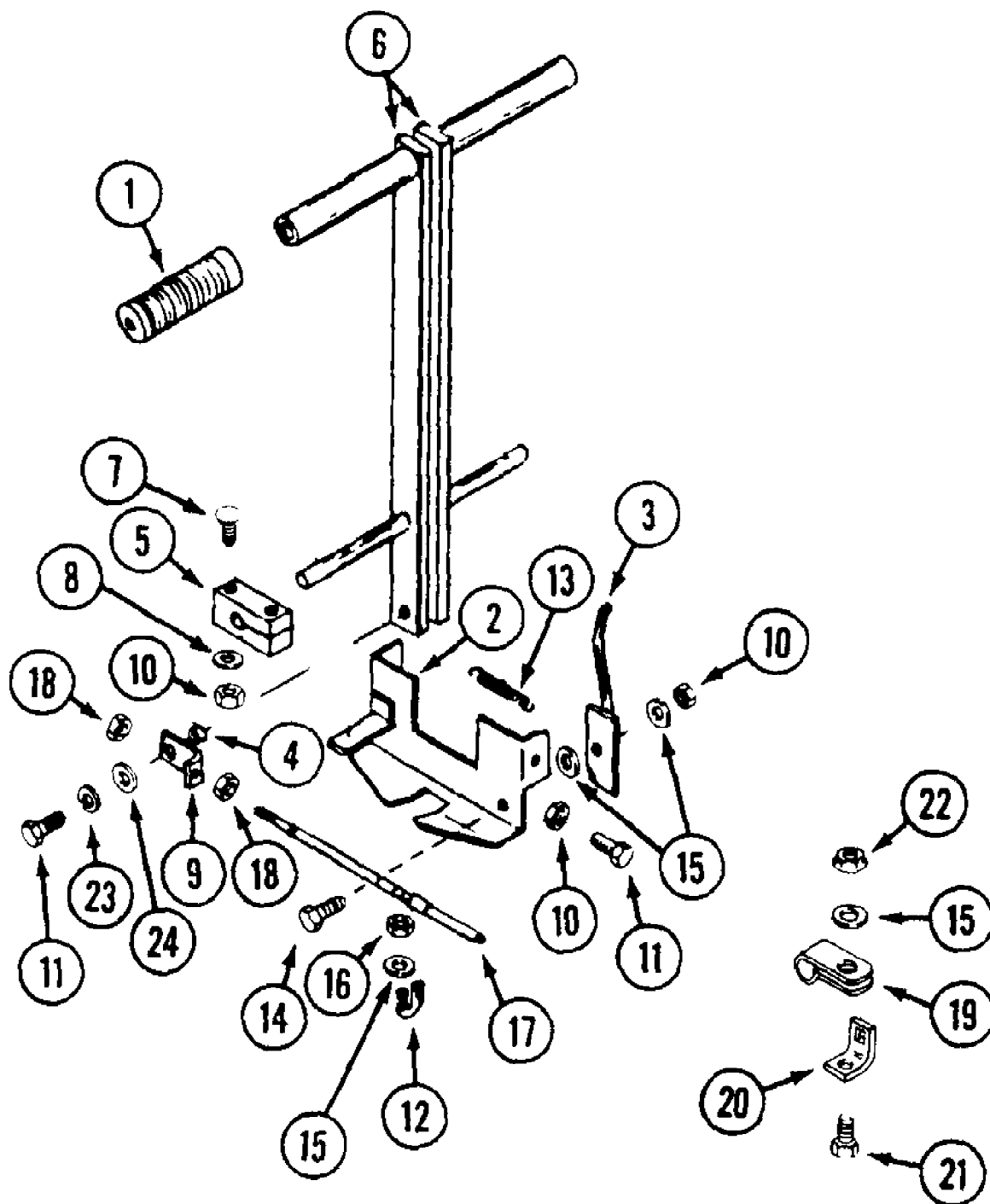
135-028-190 FR-1800D (1995)
Starter, Plate And Flywheel Shield



135-028-190 FR-1800D (1995)
Starter, Plate And Flywheel Shield

Page 85 of 97

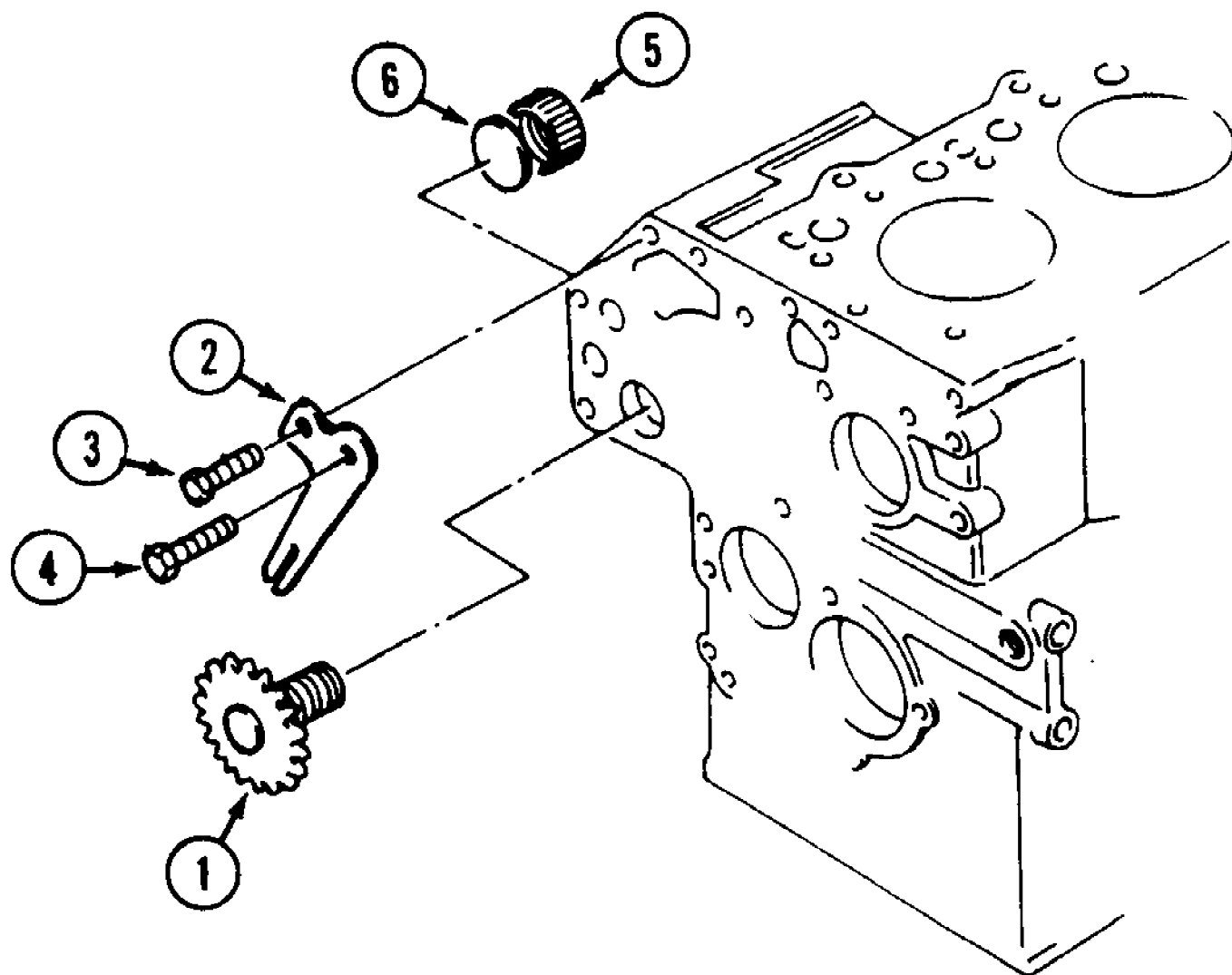
Ref #	Part Number	Qty	S/P/F	Description
1	WD-C43609	1		STARTER - repairs below
2	WD-P011601020	2		SCREW
3	WD-P198636080	1		SEAL - rear
4	WD-P110366700	1		PLATE
5	WD-P011310816	10		SCREW
6	WD-C44079	1		INSULATOR - terminal
7	WD-C42835	1		NUT - M8
8	WD-C43307	1		SHIELD - flywheel R.H.
9	WD-814-8016	1		BOLT - M8 - 1.25
10	WD-192-20	1		LOCKWASHER - 5/16"
11	WD-195-102	1		WASHER - 5/16" x 3/4"
12	WD-121-21	2		BOLT - 1/4" - 20 x 1/2" flange lock



135-028-190 FR-1800D (1995)
Steering

Page 87 of 97

Ref #	Part Number	Qty	S/P/F	Description
1	WD-C37631	2	/P	GRIP - handle
2	WD-C37840	1		BRACKET - lever lock
3	WD-C37841	1		LATCH - lever lock
4	WD-C42895	2	/P	BUSHING - steering cable
5	WD-C37842	2		BLOCK - bearing
6	WD-C44915	2		LEVER - steering
7	WD-111-114	8		BOLT - 1/4" - 20 x 1-1/2" carriage
8	WD-195-102	8		WASHER - 1/4"
9	WD-C37713	2		BRACKET - steering cable end
10	WD-131-71	11		NUT - 1/4" - 20 lock
11	WD-113-3	4		BOLT - 1/4" - 20 x 3/4"
12	WD-C37718	2		CLAMP - cable
13	WD-C37837	1		SPRING - lever lock
14	WD-C42359	1		BOLT - 1/4" - 20 x 2"
15	WD-195-102	7		WASHER - 1/4"
16	WD-131-69	4		NUT - 5/16" - 18 lock
17	WD-C43180	2		CABLE - steering
18	WD-193-1001	4		NUT - 1/4" - 28"
19	WD-C33218	2		CLAMP
20	WD-C45387	1		STOP - brake lever
21	WD-113-1	1		BOLT - 1/4" - 20 x 1/2"
22	WD-131-934	1		NUT - 1/4" - 20 flange lock
23	WD-192-19	2		LOCKWASHER - 1/4"
24	WD-195-520	2		WASHER - 1/4"



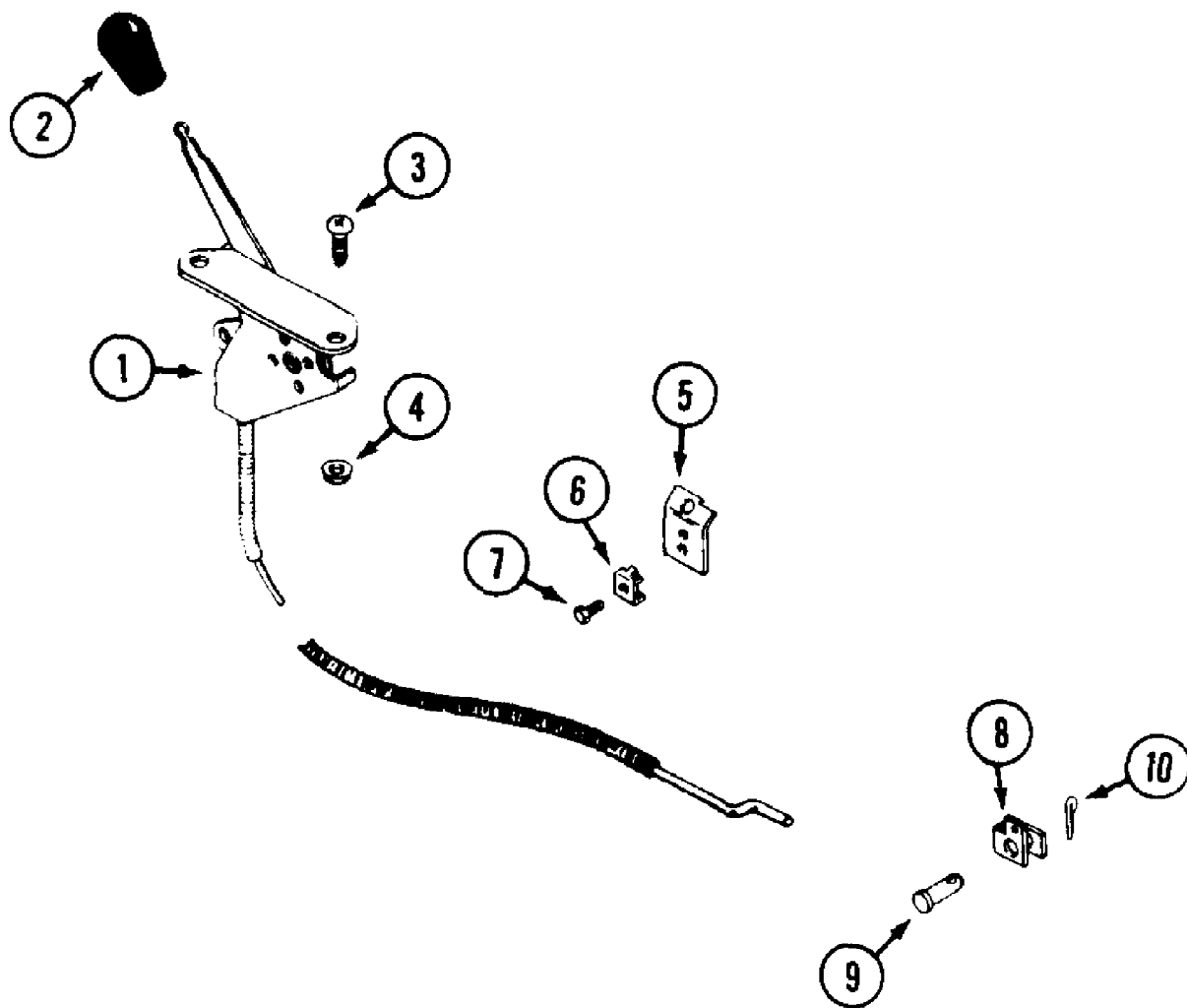
135-028-190 FR-1800D (1995)
Tachometer

Page 89 of 97

Ref #	Part Number	Qty	S/P/F	Description
1	WD-P120076070	1		SHAFT
2	WD-P199566651	1		PLATE
3	WD-P011310612	1		SCREW
4	WD-P010700610	1		SCREW
5	WD-P199376230	1		CAP
6	WD-P120996060	1		SEAL

135-028-190 FR-1800D (1995)
Throttle Control

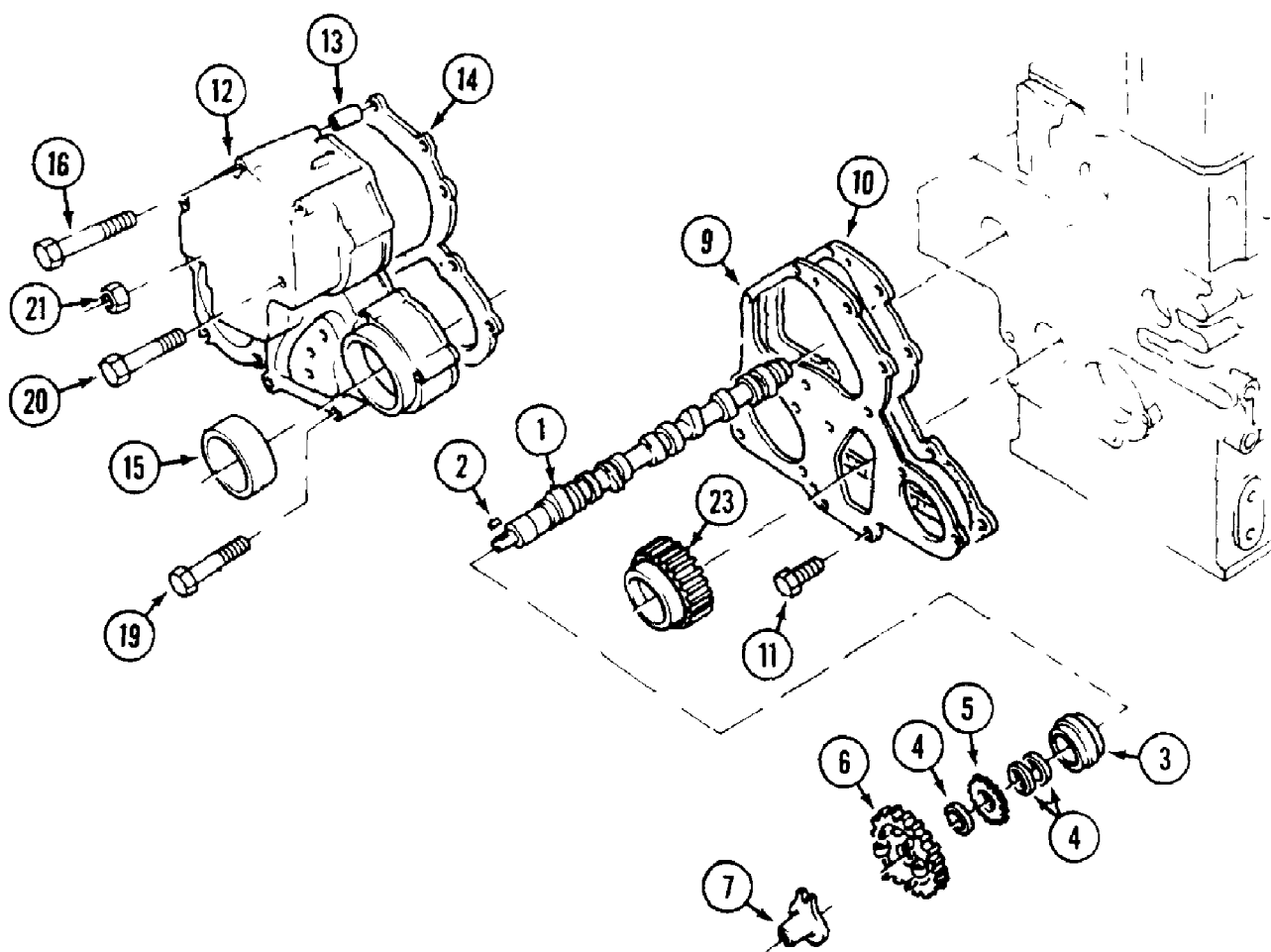
Page 90 of 97



135-028-190 FR-1800D (1995)
Throttle Control

Page 91 of 97

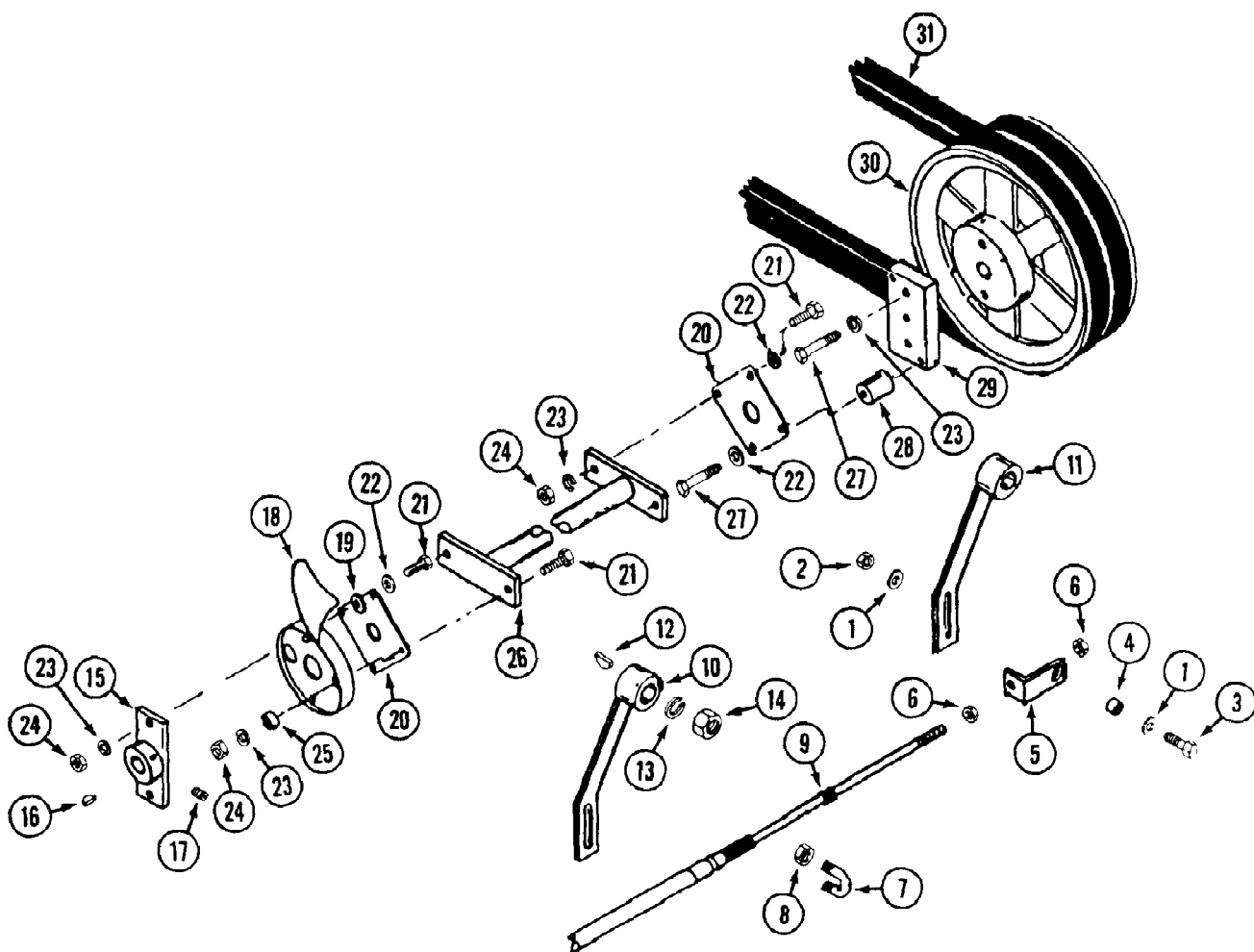
Ref #	Part Number	Qty	S/P/F	Description
1	WD-C43177	1		THROTTLE
2	WD-C35291	1		KNOB - throttle
3	WD-182-559	2		SCREW - #10 - 24 x 3/4"
4	WD-C34117	2		NUT - #10 - 24 flange lock
5	WD-C45339	1		BRACKET - throttle
6	WD-C34273	1		CLAMP - casing
7	WD-182-559	1		SCREW - #10 - 24 x 3/4"
8	WD-C43059	1		CLEVIS - extension
9	WD-C45478	1		PIN - clevis 5/16" x 7/8"
10	WD-132-320	1		PIN - cotter 3/32" x 3/4"



135-028-190 FR-1800D (1995)
Timing Gear And Camshaft

Page 93 of 97

Ref #	Part Number	Qty	S/P/F	Description
1	WD-P120026120	1		CAMSHAFT
2	WD-P034100508	1		KEY
3	WD-P040109059	1		BEARING
4	WD-P199216230	3		SPACER
5	WD-P120736081	1		GEAR
6	WD-P120016030	1		GEAR
7	WD-P125256120	1		TAPPET
9	WD-P165166260	1		PLATE
10	WD-C43612	1		GASKET
11	WD-P011300612	3		BOLT
12	WD-P165106131	1		CASE
13	WD-P030300414	12		PIN
14	WD-C43613	1		GASKET
15	WD-P198636090	1		SEAL
16	WD-P011300680	2		SCREW
19	WD-P011300640	4		SCREW
20	WD-P011300660	2		SCREW
21	WD-P023100006	1		NUT
23	~NSS	1		GEAR

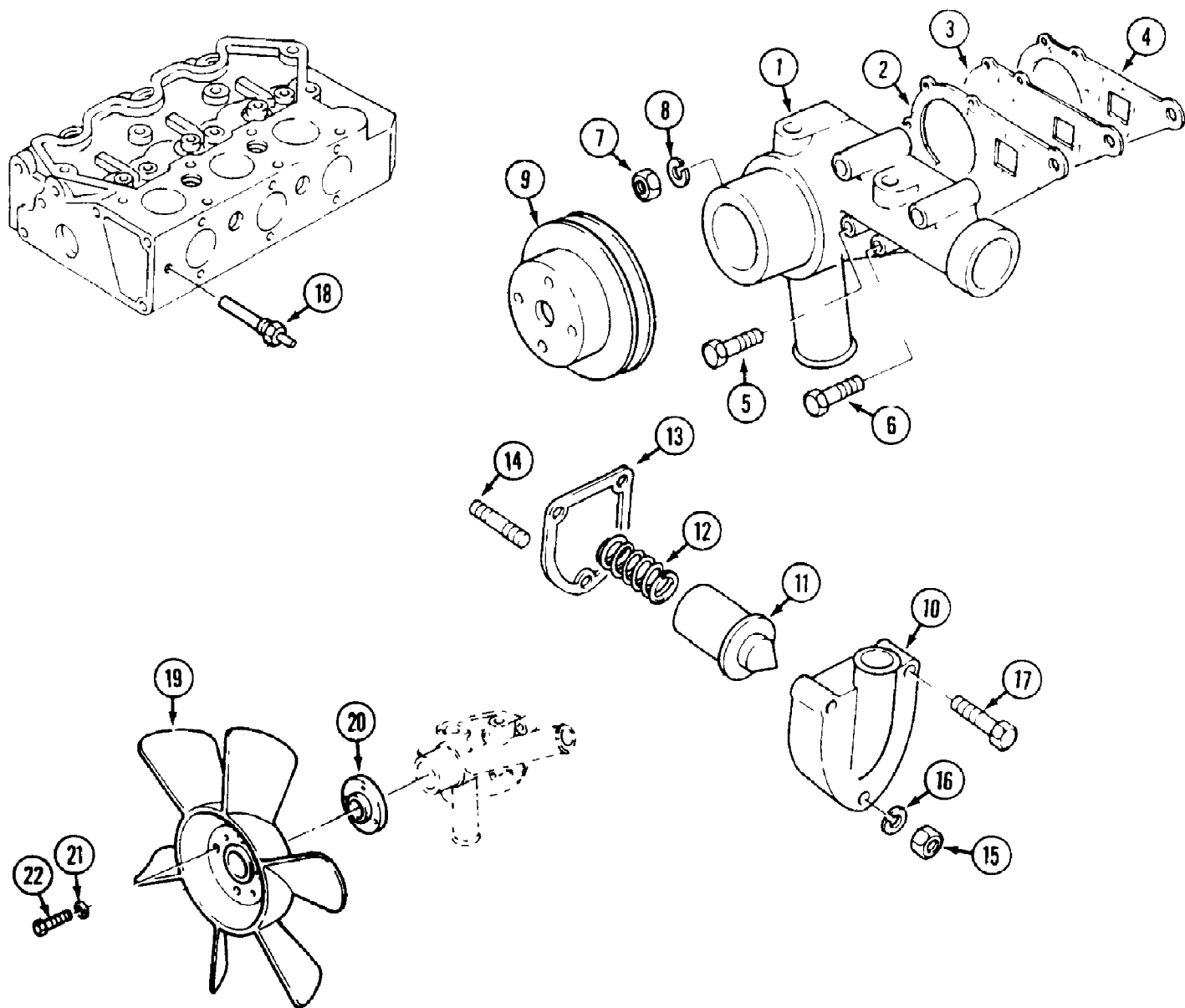


135-028-190 FR-1800D (1995)
Transmission Controls And Cross Shaft

Page 95 of 97

Ref #	Part Number	Qty	S/P/F	Description
1	WD-195-520	4		WASHER - 1/4"
2	WD-131-71	2		NUT - 1/4" - 20 lock
3	WD-113-4	2		BOLT - 1/4" - 20 x 1"
4	WD-C42895	2	/P	BUSHING - steering cable
5	WD-C37713	2		BRACKET - steering cable end
6	WD-193-1001	4		NUT - 1/4" - 20 lock
7	WD-C37718	2		CLAMP - cable
8	WD-131-69	4		NUT - 5/16" - 18 lock
9	WD-C43180	2		CABLE - steering
10	WD-C45233	1		ARM - control L.H.
11	WD-C45234	1		ARM - control R.H.
12	WD-126-11	2		KEY - 1/8" x 5/8" woodruff
13	WD-192-23	2		LOCKWASHER - 1/2"
14	WD-129-105	2	S	NUT - 1/2" - 13
15	WD-C37708	1		HUB - drive
16	WD-126-16	2		KEY - 3/16" x 3/4" woodruff
17	WD-83-55	2		SETSCREW - 5/16" - 18 x 5/16"
18	WD-C37696	1	/P	FAN
19	WD-C37704	2		WASHER - .33" x .69" x .13"
20	WD-C37700	2	/P	PLATE - drive
21	WD-113-103	6		BOLT - 5/16" - 18 x 1"
22	WD-195-102	6		WASHER - .312" x .75"
23	WD-192-20	8		LOCKWASHER - 5/16"
24	WD-129-102	6		NUT - 5/16" - 18
25	WD-C37702	2		SPACER - 1/4"
26	WD-C38015	1		SHAFT - cross
27	WD-113-104	4		BOLT - 5/16" - 18 x 1-1/4"
28	WD-C45378	2		SPACER - 3/4"
29	WD-C37710	1		BLOCK - cross shaft
30	WD-C45154	1		PULLEY - pump drive
31	WD-C37716	1		BELT - engine to transmission

135-028-190 FR-1800D (1995)
Water Pump, Thermostat, Temperature Sender



135-028-190 FR-1800D (1995)

Page 97 of 97

Water Pump, Thermostat, Temperature Sender

Ref #	Part Number	Qty	S/P/F	Description
1	WD-P145016840	1		PUMP - water
2	WD-C43617	1		GASKET
3	WD-C43618	1		BACKPLATE
4	WD-C43619	1		GASKET
5	WD-P011300635	3		SCREW
6	WD-P011300650	4		SCREW
7	WD-P023100006	1		NUT
8	WD-P027100006	1		WASHER
9	WD-P145336490	1		PULLEY
10	WD-P145216161	1		HOUSING
11	WD-C43598	1		THERMOSTAT
12	WD-C43599	1		SPRING
13	WD-C43600	1		GASKET
14	WD-P012100650	1		STUD
15	WD-P023100006	1		NUT
16	WD-P027100006	1		WASHER
17	WD-P011300650	2		SCREW
18	WD-C43602	1		SENDER - temperature
19	WD-C45491	1		FAN
20	WD-C42986	1		SPACER - fan
21	WD-192-19	4		LOCKWASHER - 1/4"
22	WD-814-6045	4		SCREW - M6 - 1.0 x 45